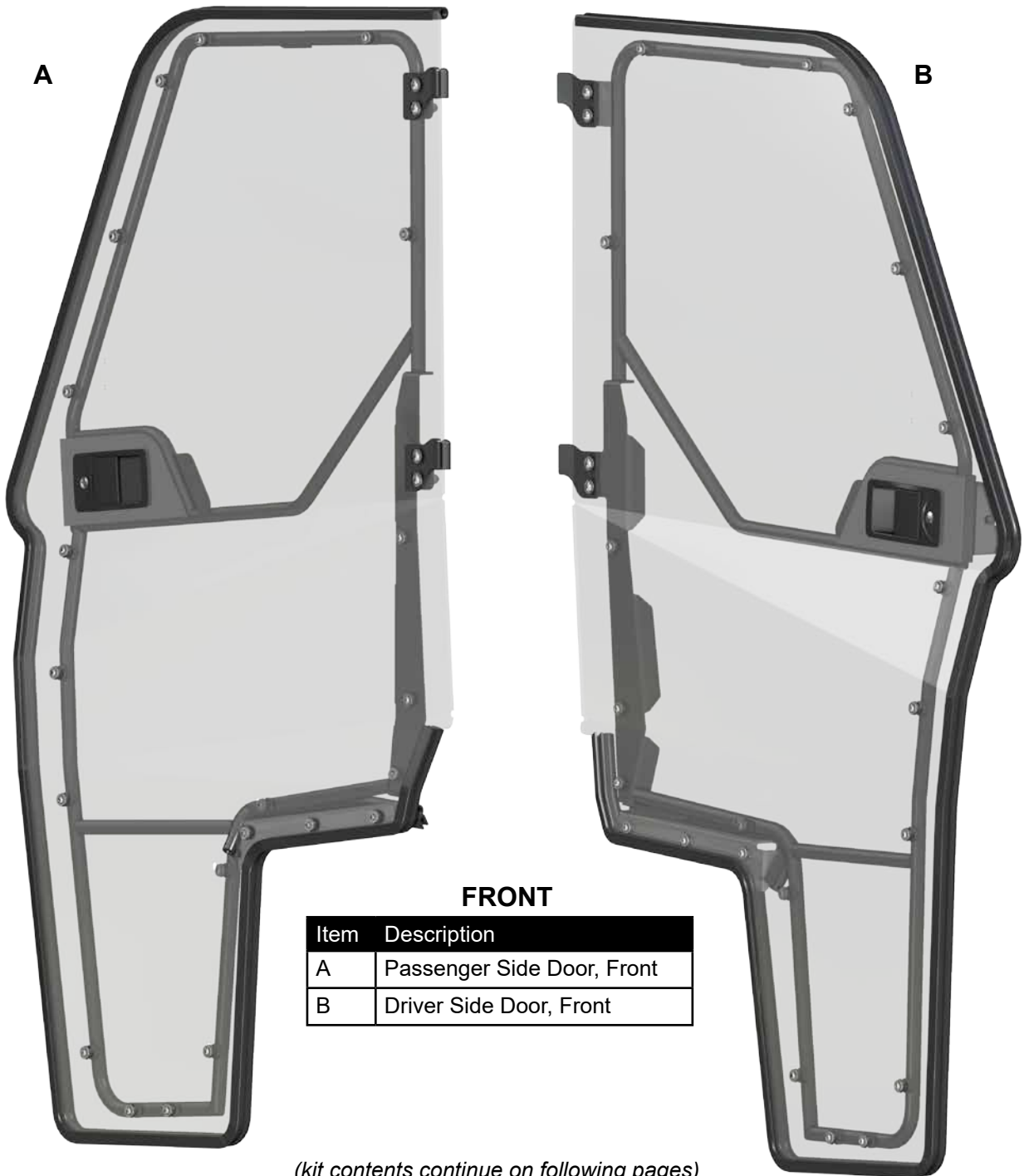


make sure door handles are unlocked before installing



FRONT

Item	Description
A	Passenger Side Door, Front
B	Driver Side Door, Front

(kit contents continue on following pages)

Need help with your installation?

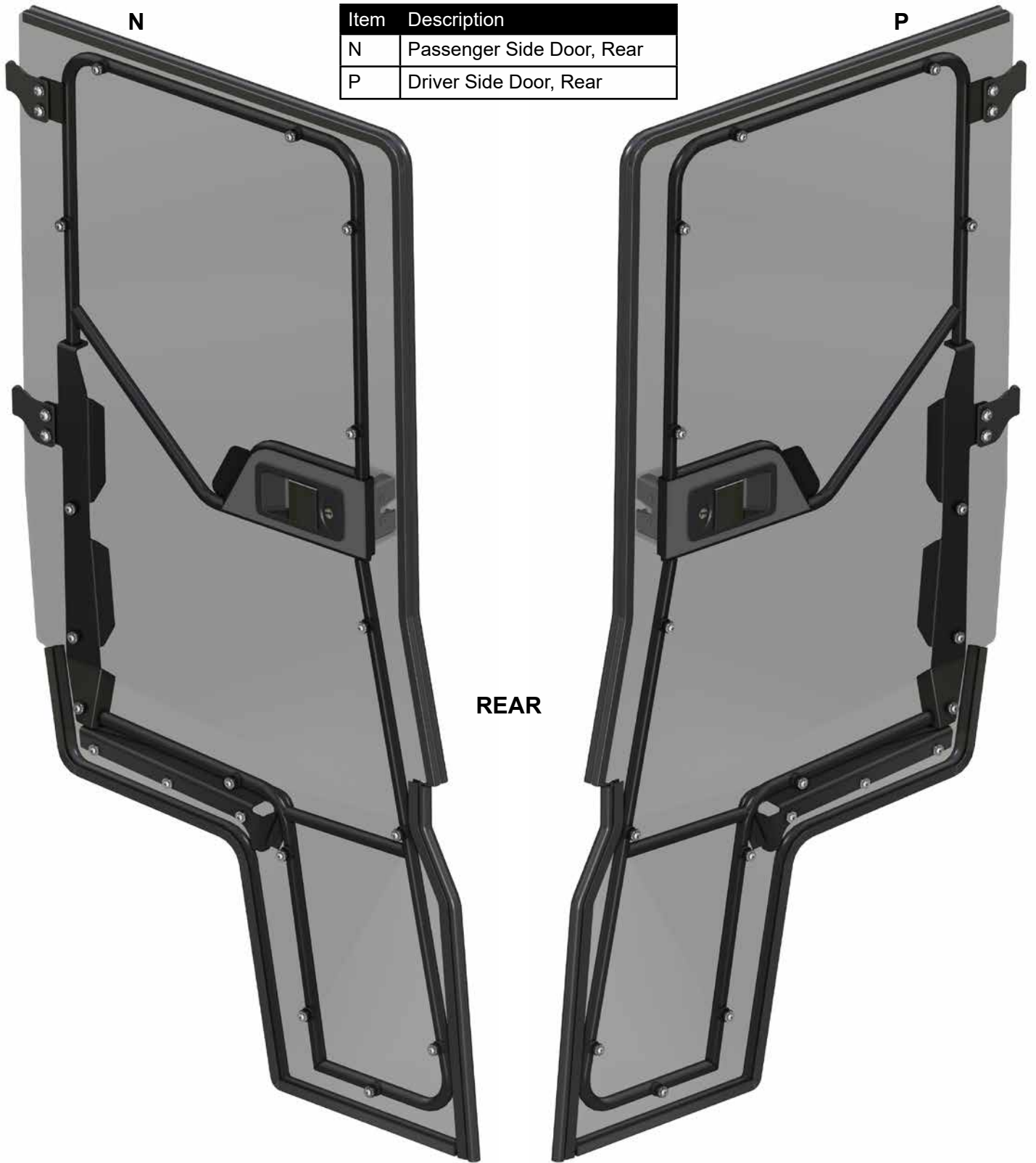
 sales@superatv.com
 www.superatv.com

 1-855-743-3427
  8:00am - 8:00pm EST M-Th
 8:00am - 7:00pm EST Friday
 9:00am - 2:00pm EST Saturday

Read instructions and view illustrations before beginning.

Thank You
For Choosing
SUPERATV.COM[®]

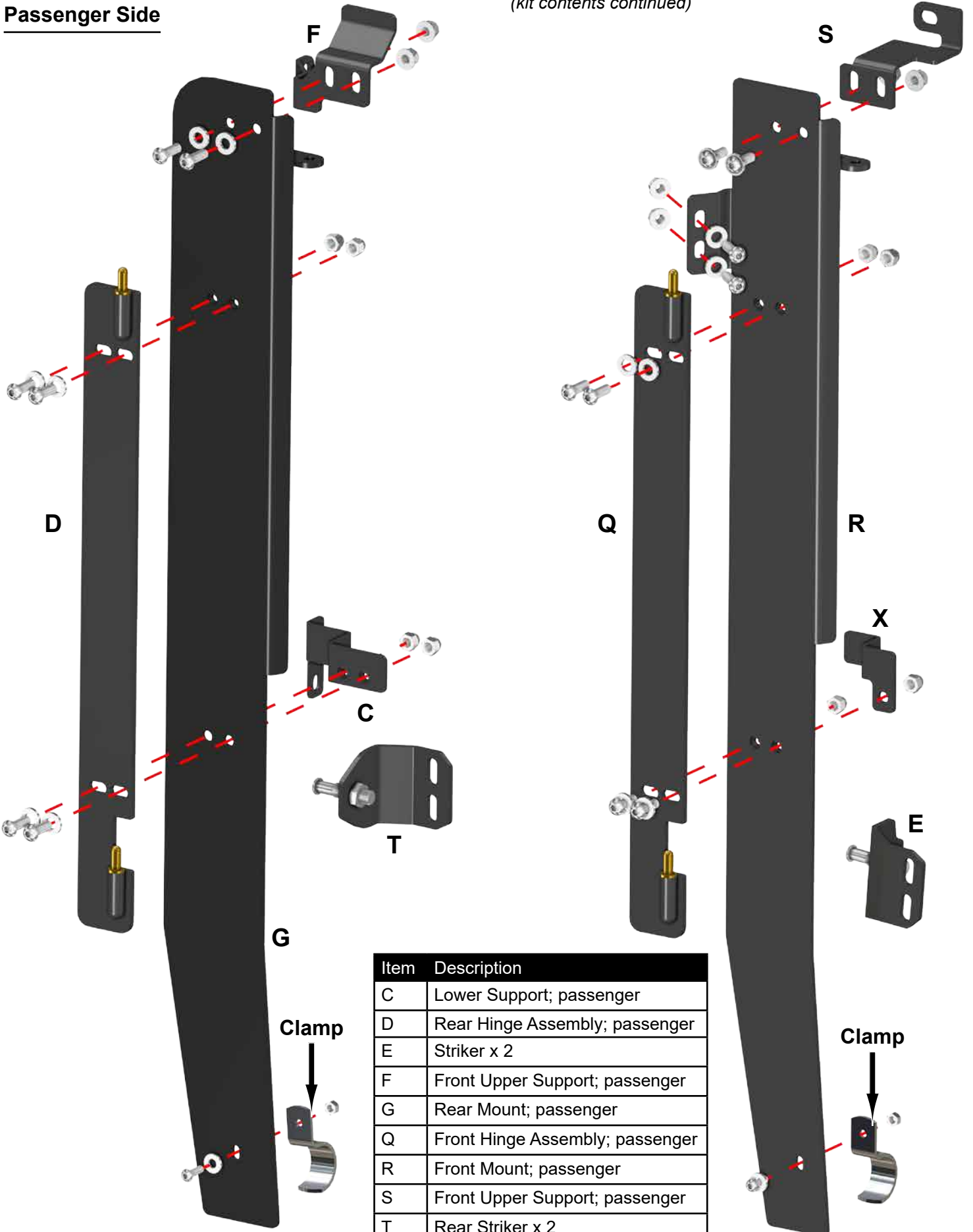
(kit contents continued)



Item	Description
N	Passenger Side Door, Rear
P	Driver Side Door, Rear

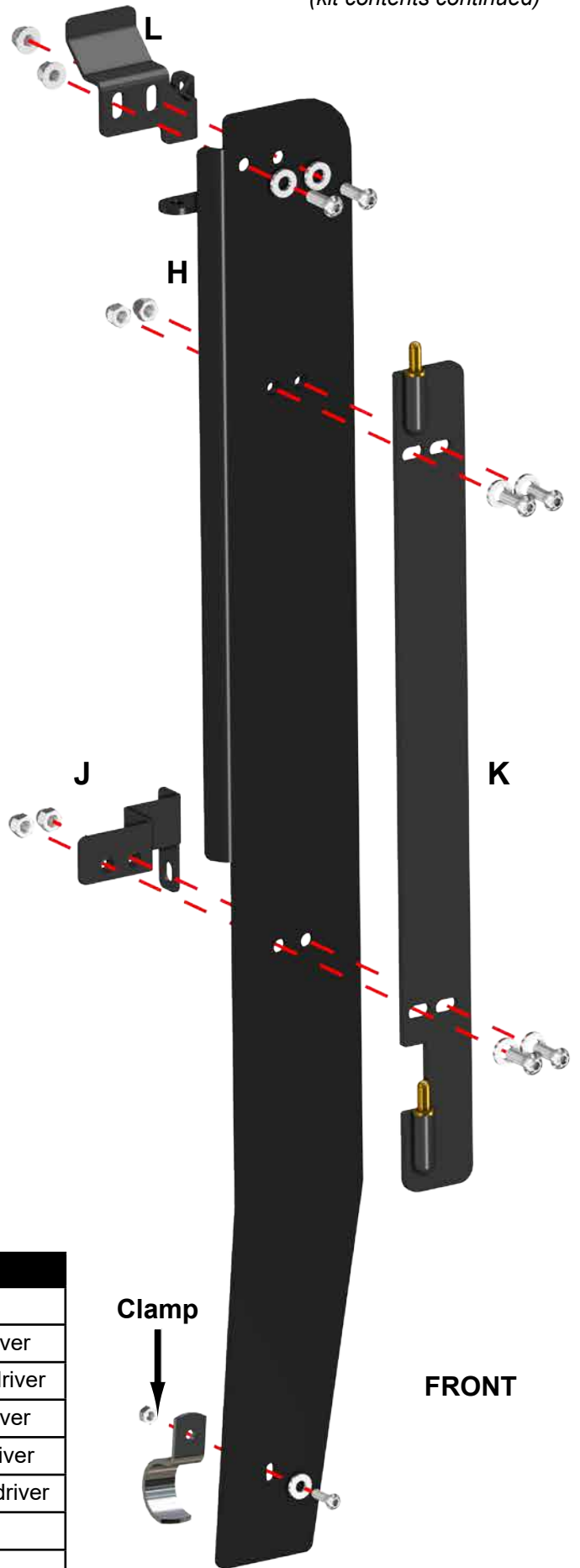
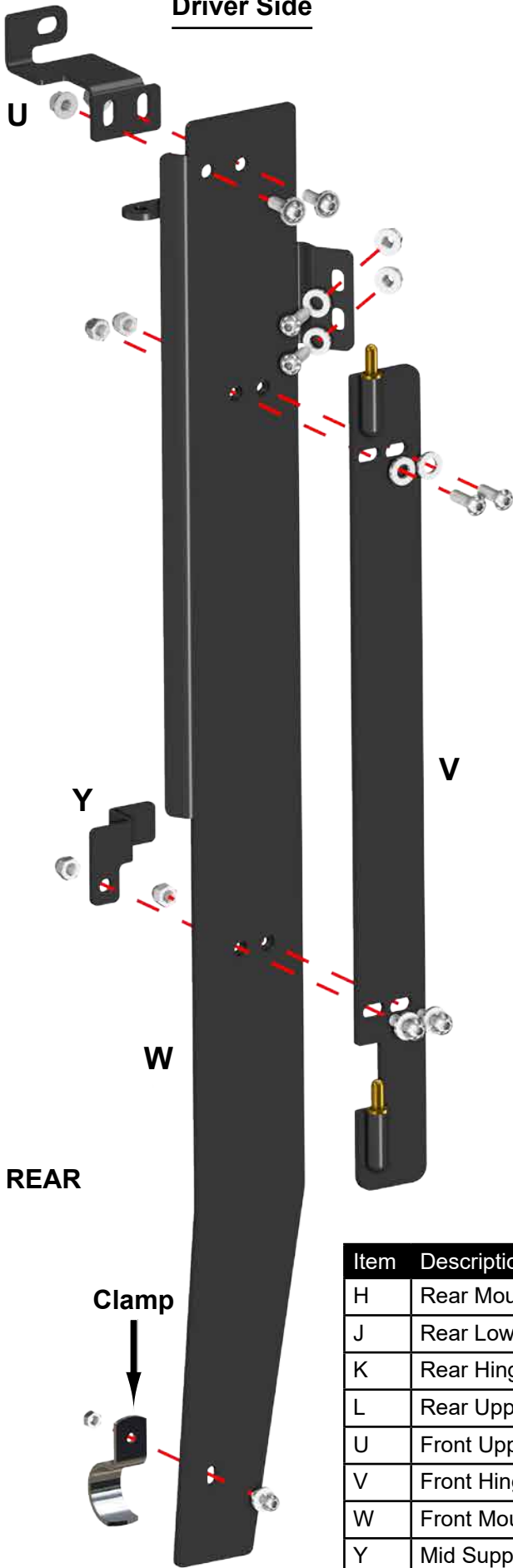
Passenger Side

(kit contents continued)



Item	Description
C	Lower Support; passenger
D	Rear Hinge Assembly; passenger
E	Striker x 2
F	Front Upper Support; passenger
G	Rear Mount; passenger
Q	Front Hinge Assembly; passenger
R	Front Mount; passenger
S	Front Upper Support; passenger
T	Rear Striker x 2
X	Mid Support; passenger

Driver Side



Item	Description
H	Rear Mount; driver
J	Rear Lower Support; driver
K	Rear Hinge Assembly; driver
L	Rear Upper Support; driver
U	Front Upper Support; driver
V	Front Hinge Assembly; driver
W	Front Mount; driver
Y	Mid Support; driver

(kit contents continued)



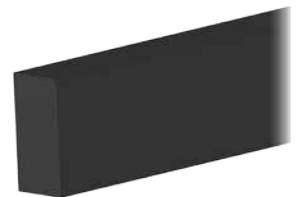
4 x Strut (M)



Mirrors



Square Seal



Seal

Door Cleaning:

- Do not use Rain-X®, Plexus® or any other protector, wax, or polish.
 - Do not use window cleaning fluids (Windex, 409, etc) or any solvents (gasoline, denatured alcohol, acetone, etc).
 - Never use abrasive cleaners, abrasive pads, or gritty cloths.
 - Never use razor blades, scrapers, squeegees, brushes, etc.
1. Thoroughly rinse Doors to float off dirt and mud.
 2. Using a soft cloth, or microfiber cloth, clean Doors with warm water and a gentle detergent. Baby shampoo, rubbing alcohol, or hand washing soap can also be used.
 3. To prevent water spots, use a chamois to blot Doors dry.

Liability Statement

SuperATV's® products are designed to best fit user's ATV/UTV under stock conditions. Adding, modifying, or fabricating any factory or aftermarket parts will void any warranty provided by SuperATV® and is not recommended. SuperATV's® products could interfere with other aftermarket accessories. If user has aftermarket products on machine, contact SuperATV® to verify that they will work together.

Although SuperATV® has thousands of satisfied customers, user should be aware that installing lift kits, long travel, or suspension kits, tires, etc. will change the ride of machine and may increase maintenance and part wear. Operating any off-road machine while, or after, consuming alcohol and/or drugs increases risk of bodily harm or death. No warranty or representation is made as to this product's ability to protect user from severe injury or death. SuperATV® urges operators and occupants to wear a helmet and appropriate riding gear at all times.

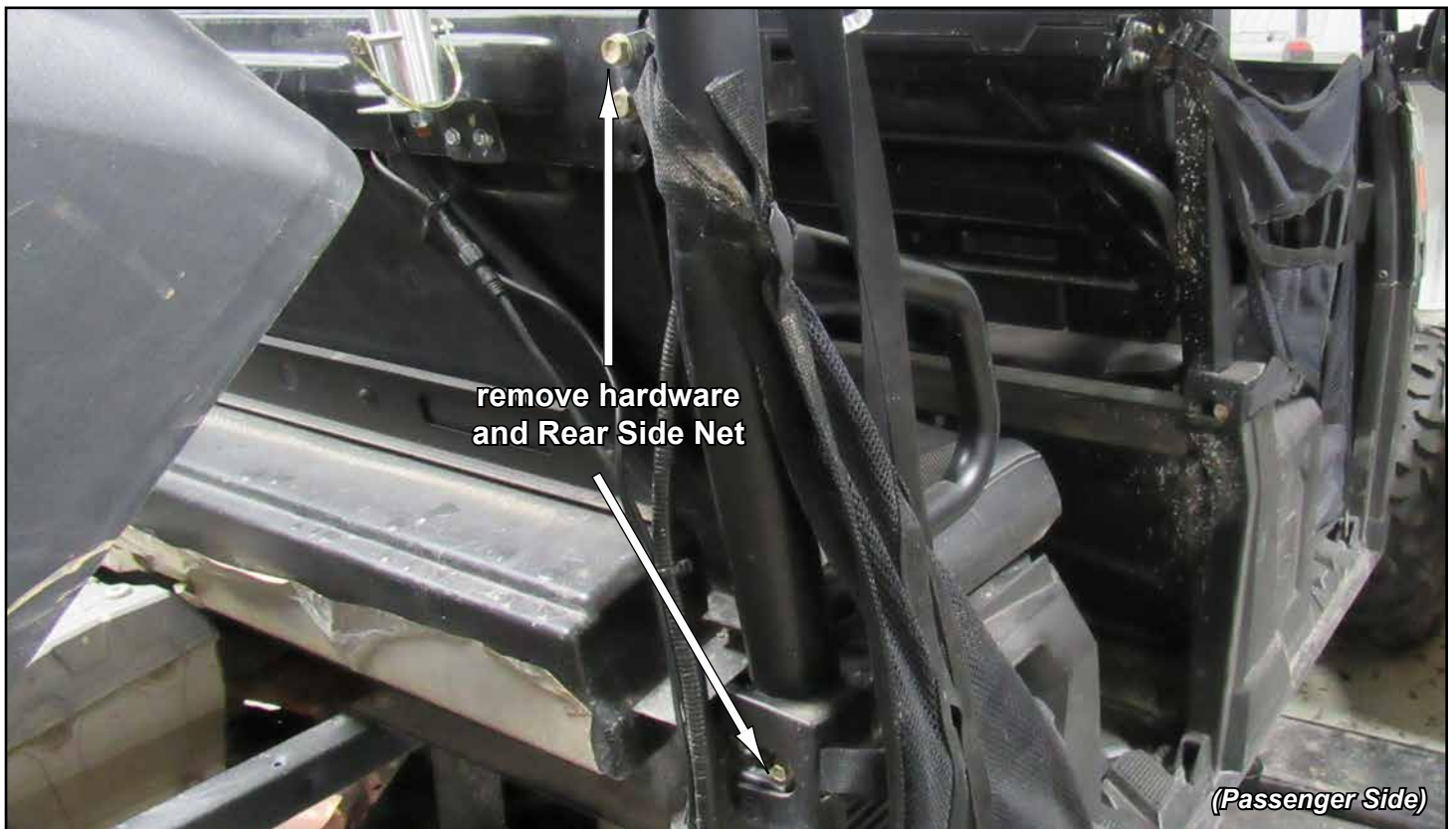
By purchasing and installing SuperATV® products, user agrees that should damages occur, SuperATV® will not be held responsible for loss of time, use, labor fees, replacement parts, or freight charges. SuperATV®, nor any 3rd party, will not be held responsible for any direct, indirect, incidental, special, or consequential damages that result from any product purchased from SuperATV®. The total liability of seller to user for all damages, losses, and causes of action, if any, shall not exceed the total purchase price paid for the product that gave rise to the claim.

SuperATV® will warranty only parts provided by SuperATV®. Any damage or problems with OEM housings, bearings, seals, or other manufacturers' products will not be covered by SuperATV®. SuperATV® parts and products are not warranted if item was not installed properly, misused, or modified.

Installing, adding, modifying, or fabricating any factory or aftermarket product to your ATV/UTV may violate certain local, state, and federal laws. Be advised that laws vary depending on town, city, county, state, etc. Use of certain products on public streets, roads, or highways may be in violation law. The Buyer is solely and exclusively legally and personally responsible for any violation of the law by the installation or use of the product. You must abide by all local, state, and federal laws, including but not limited to vehicle safety, traffic laws, and ordinances. It is your responsibility to know the laws and how they apply to you.

The Buyer is responsible to fully understand the capability and limitations of his/her vehicle according to manufacturer specifications, warnings and instructions and agrees to hold SuperATV® harmless from any damage resulting from failure to adhere to such specifications, warnings and/ or instructions. The Buyer is also responsible to obey all applicable federal, state, and local laws and ordinances when operating his/her vehicle while using this product, and the Buyer agrees to hold SuperATV® harmless from any violation thereof.

raise Cargo Box before beginning



reinstall stock hardware and repeat for opposite side

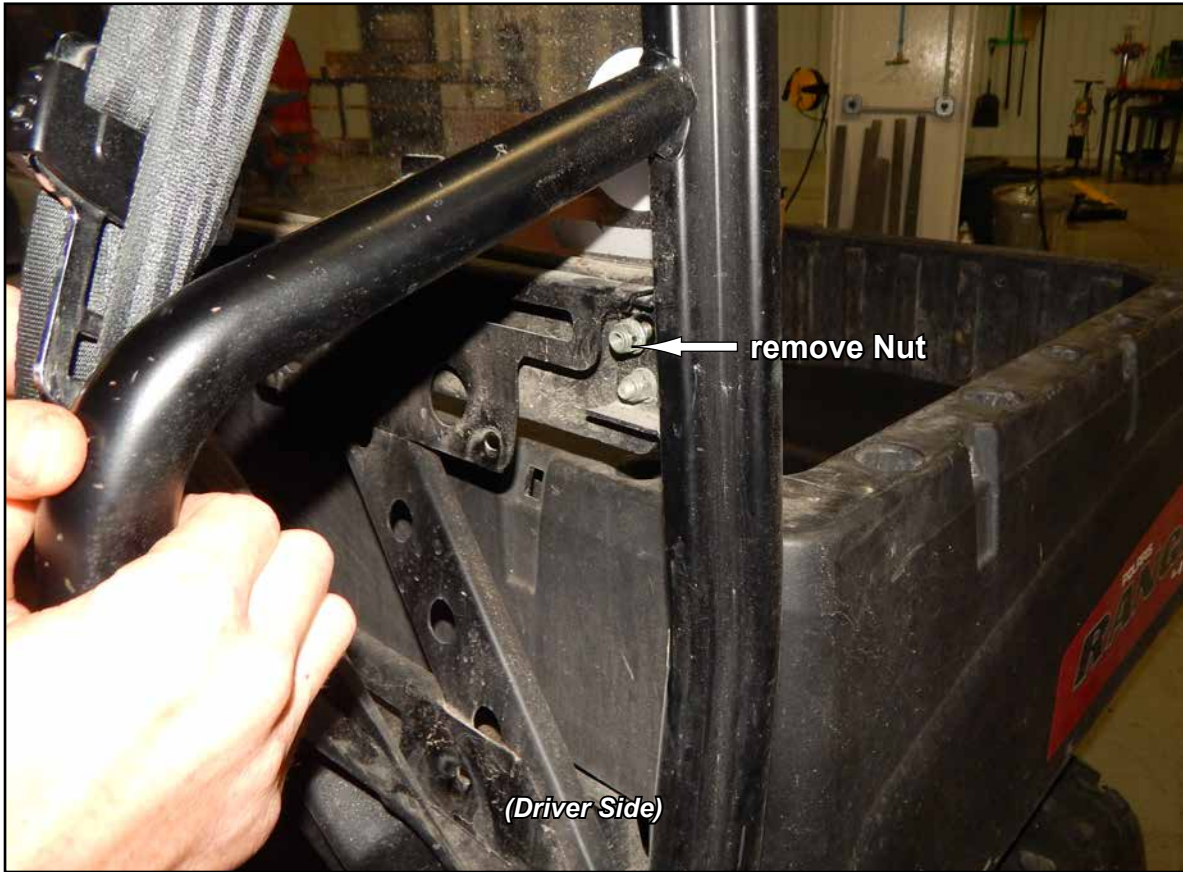
DO NOT TIGHTEN ANY HARDWARE COMPLETELY UNLESS NOTED



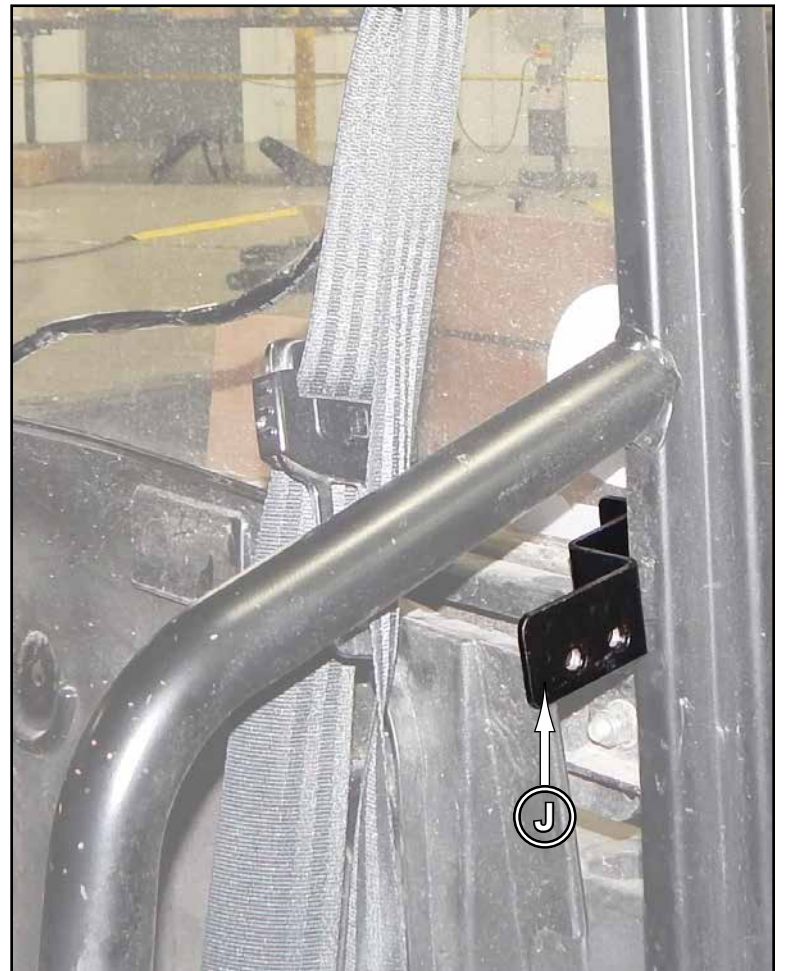
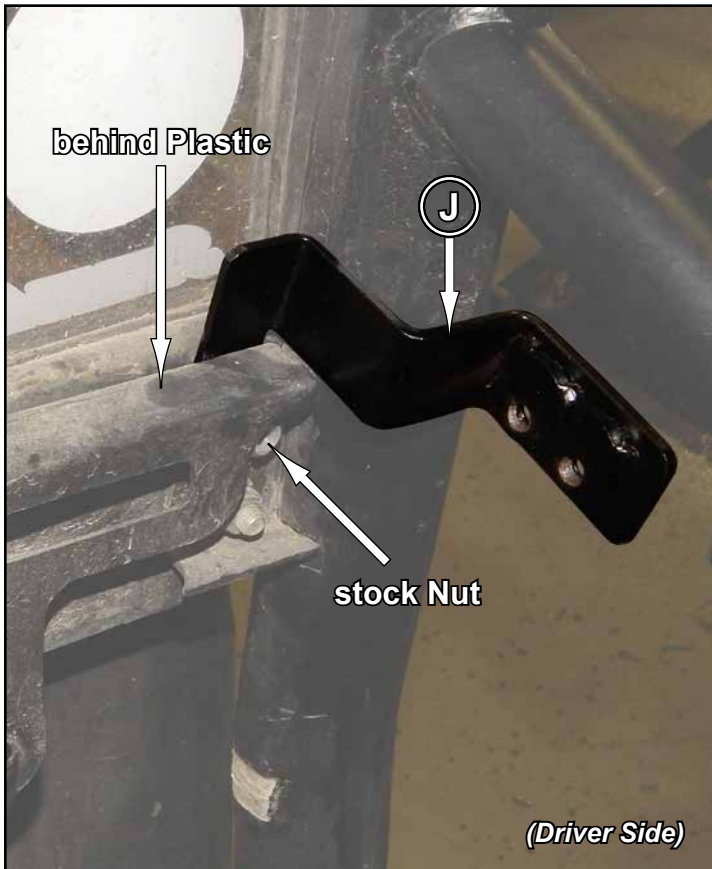
- Install Upper Support; driver (L) and secure with stock Nut.



- Pull Seat Back forward and remove Nut shown.



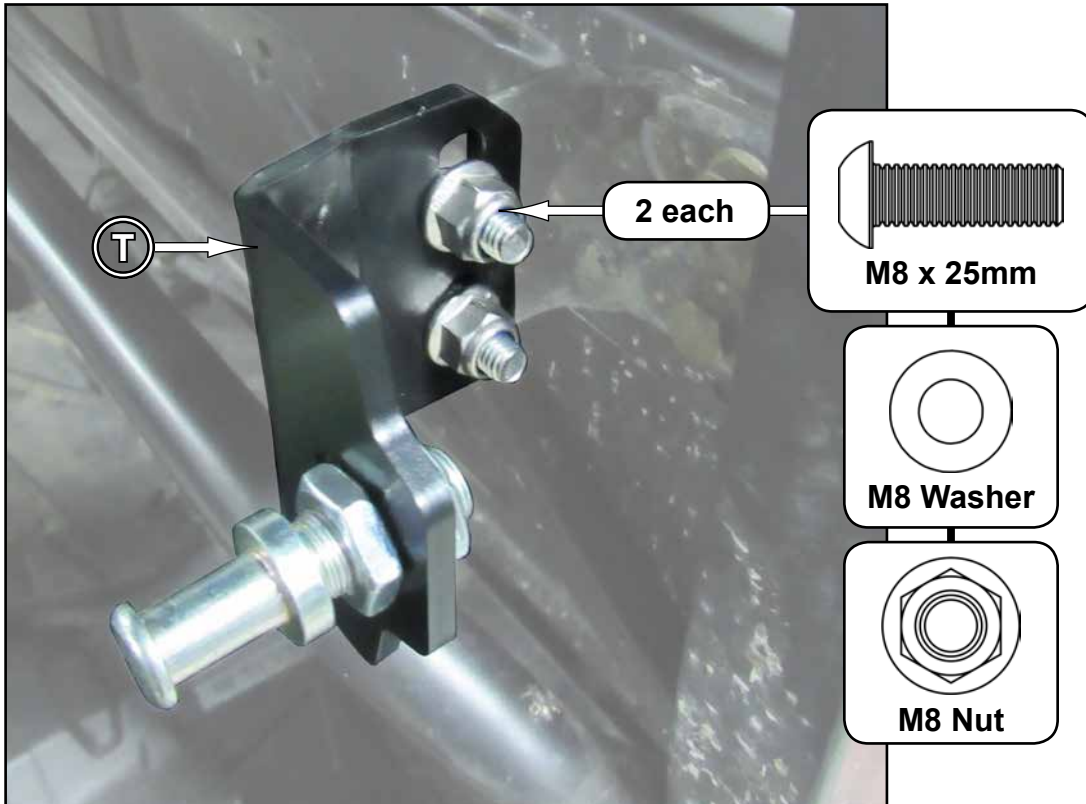
- Install Lower Support (J) and secure with stock Nut.



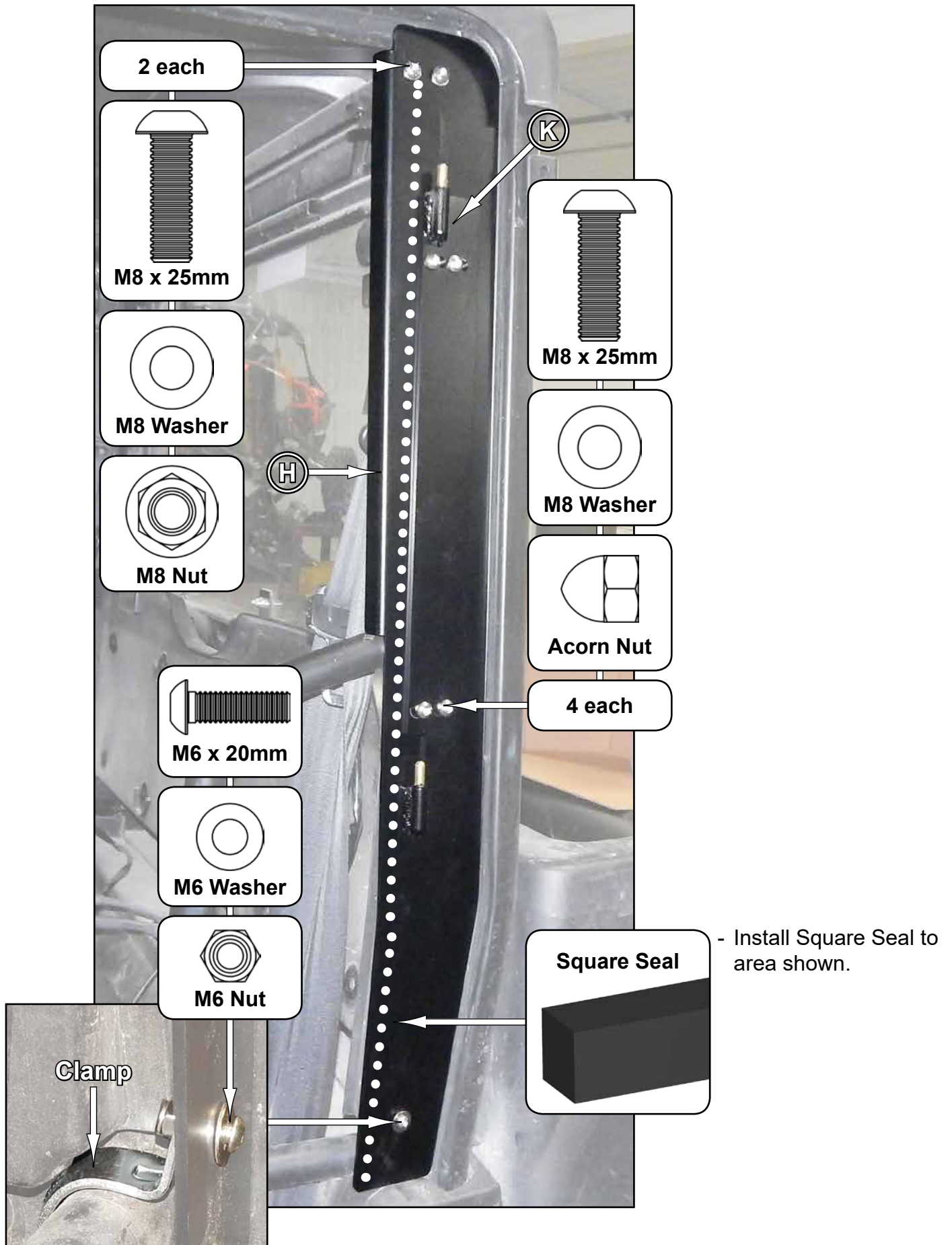
- Remove stock Rear Buckle.



- Install Rear Striker (T) with hardware shown.



- Install Rear Mount (H) to Rear Upper Support (L) and Rear Lower Support (J) with hardware shown.
- Install Rear Hinge Assembly (K) to Rear Mount (H) with hardware shown.

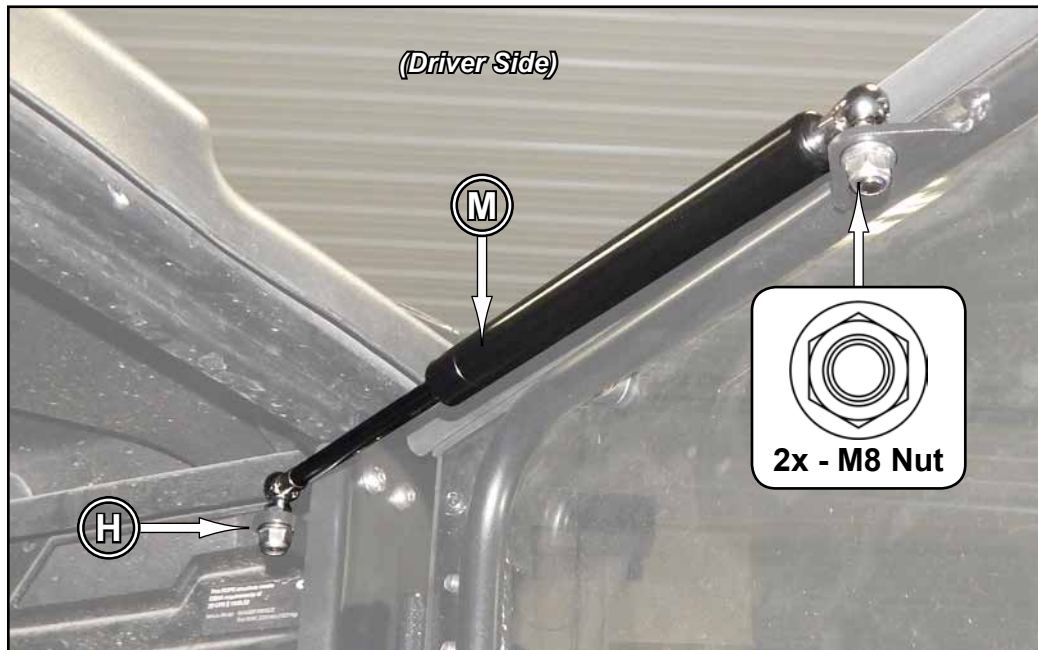


- Place Driver Side Door, Rear (P) onto Rear Hinge Assembly (K).



- Close Door and engage Latch.
- Align to machine and tighten all hardware completely.

- Install Strut (M) to Driver Side Door, Rear (P) and Rear Rear Mount; driver (H) with hardware shown.



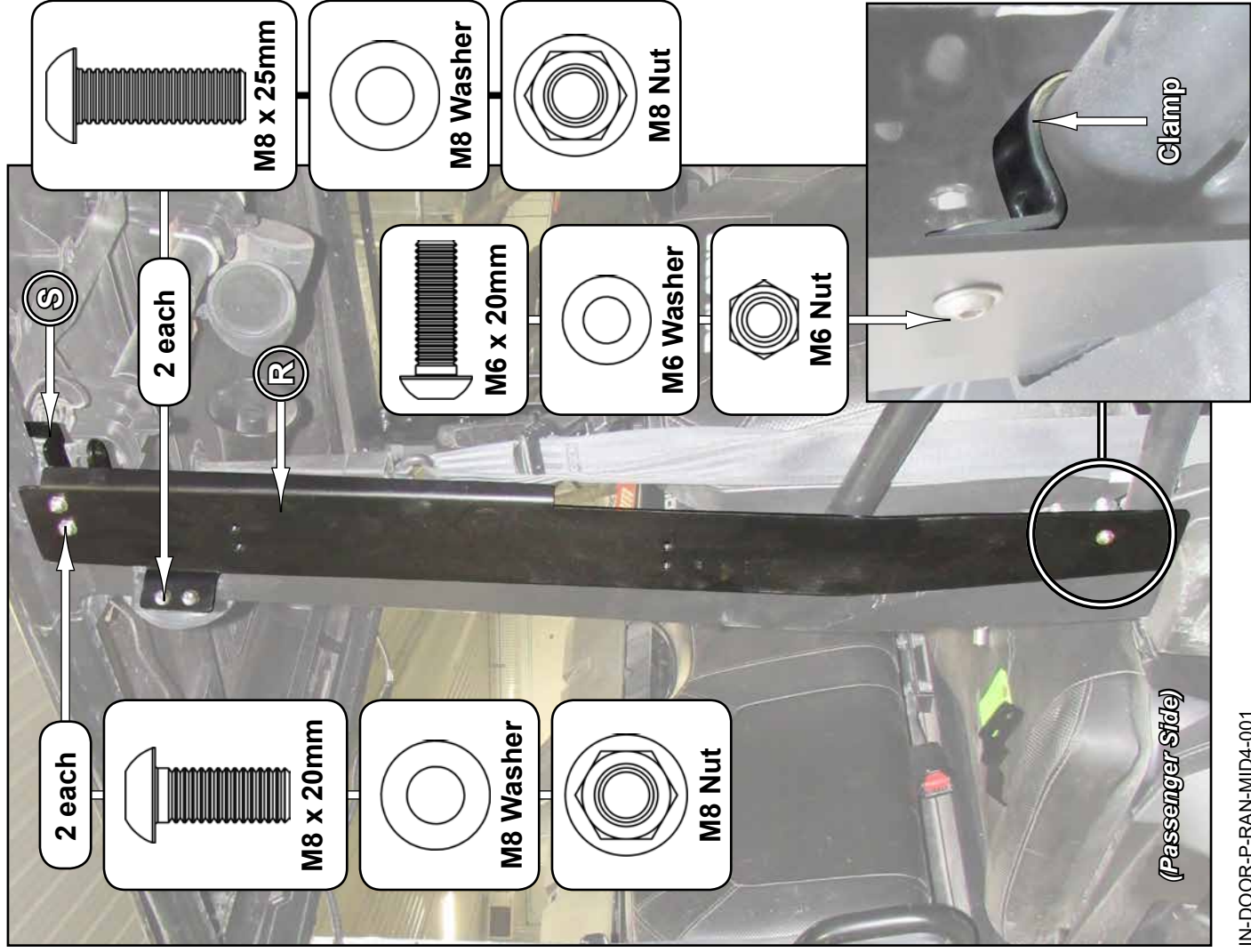
- Repeat steps for opposite side.

Front Doors installation

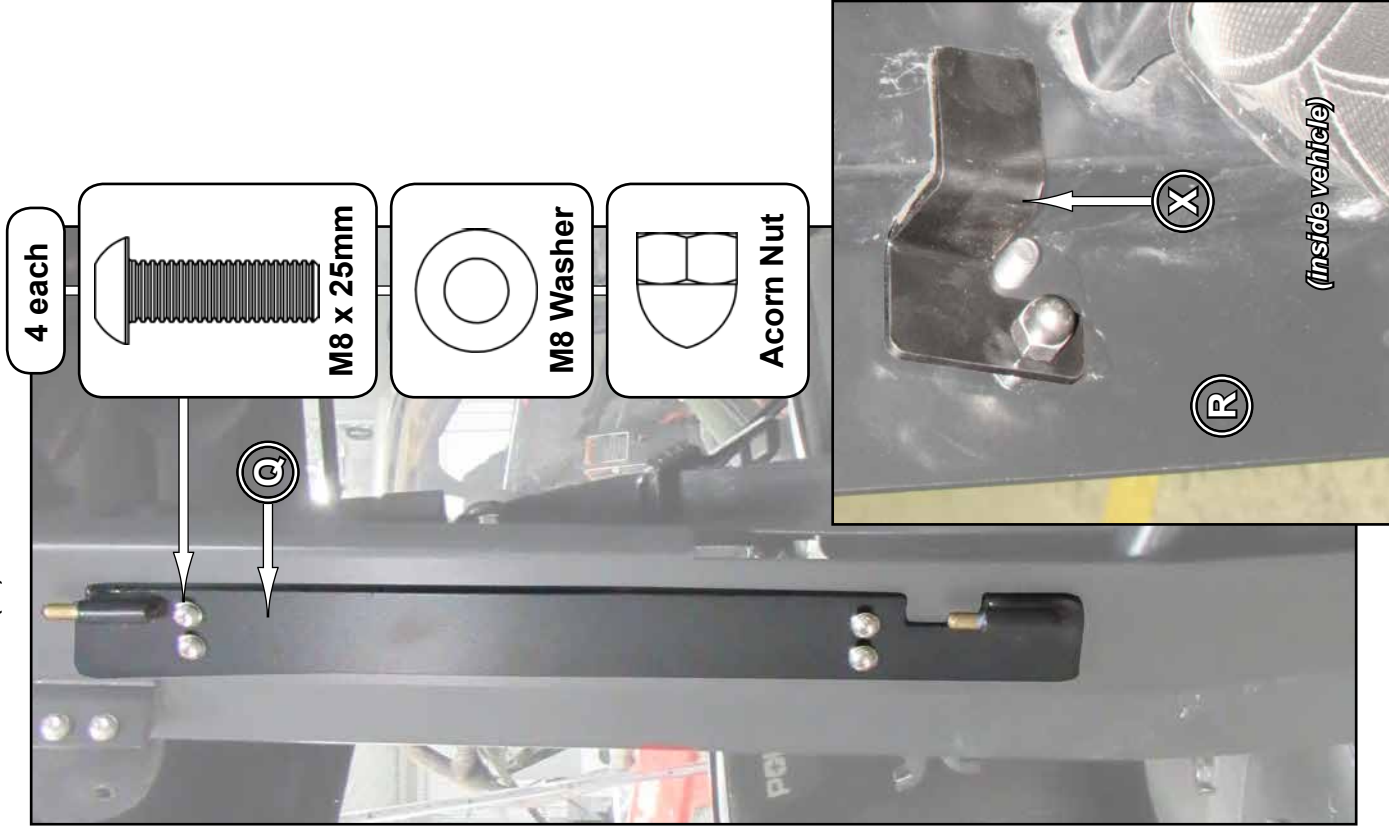
- Install Front Upper Support; passenger (S) with stock hardware.



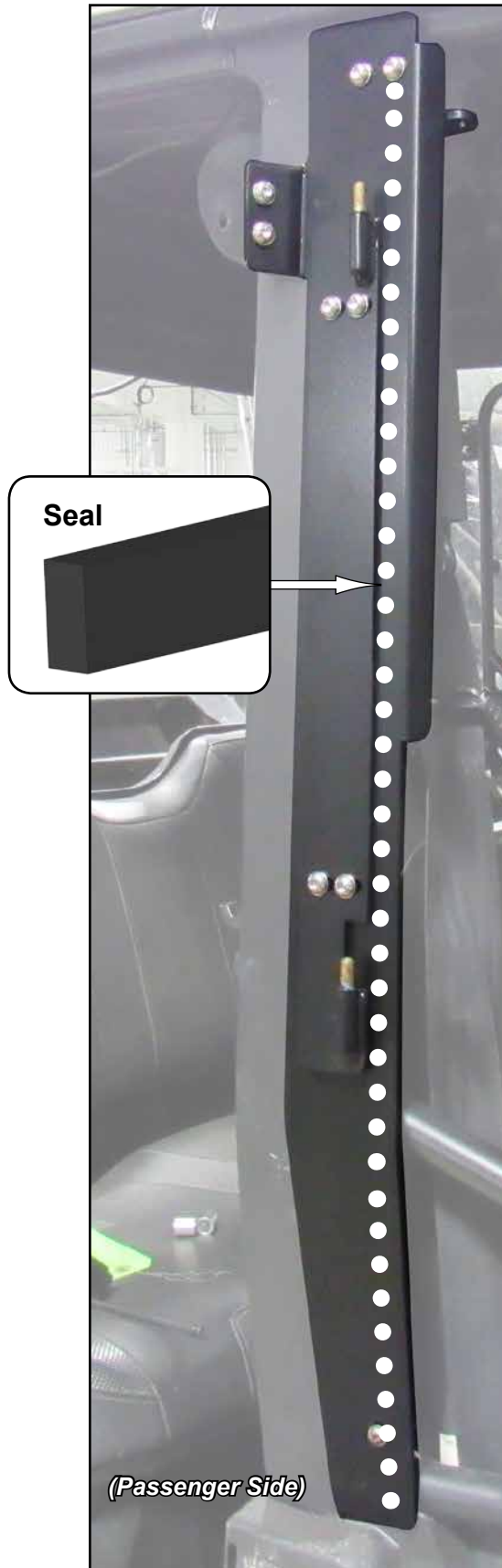
- Install Front Mount (R) to Front Upper Support (S) with hardware shown.
- Secure Front Mount (R) to Frame with Clamp and hardware shown.



- Install Front Hinge Assembly (Q) and Mid Support (X) to Front Mount (R) with hardware shown.



- Install Seal to area shown.



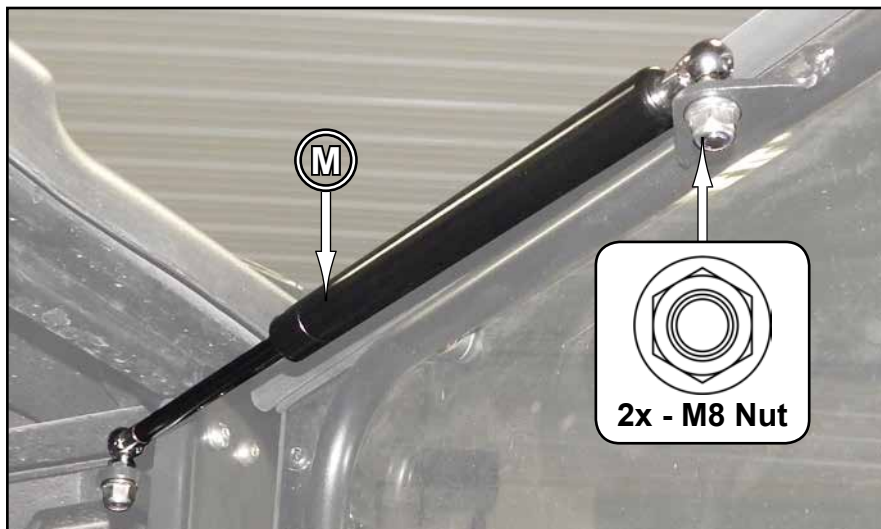
- Install Striker (E) with stock hardware.



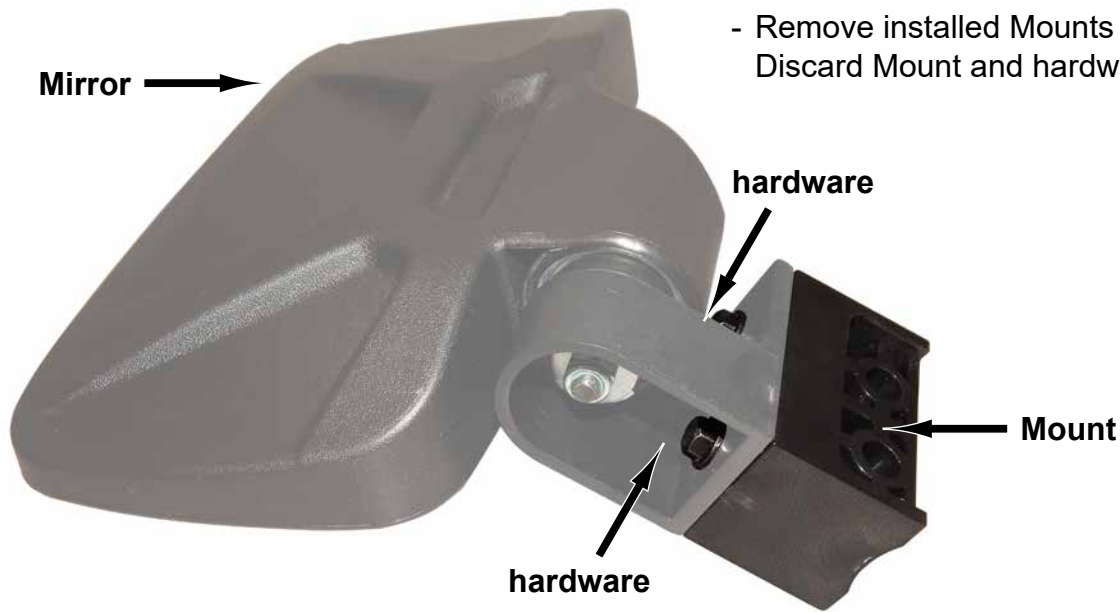
- Close Door and engage Latch.
- Align to machine and tighten all hardware completely.



- Install Strut (M) to Driver Side Door, Front (B) and Front Mount; driver (W) with hardware shown.

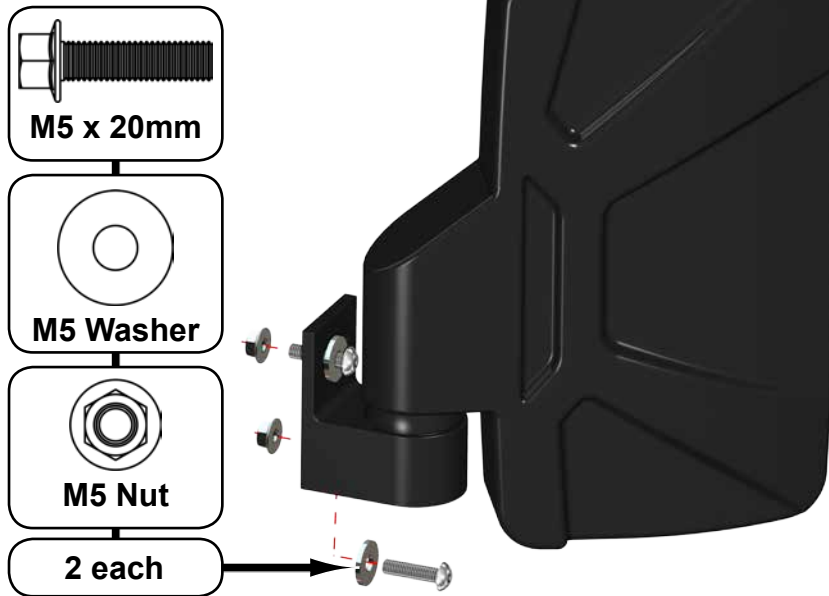


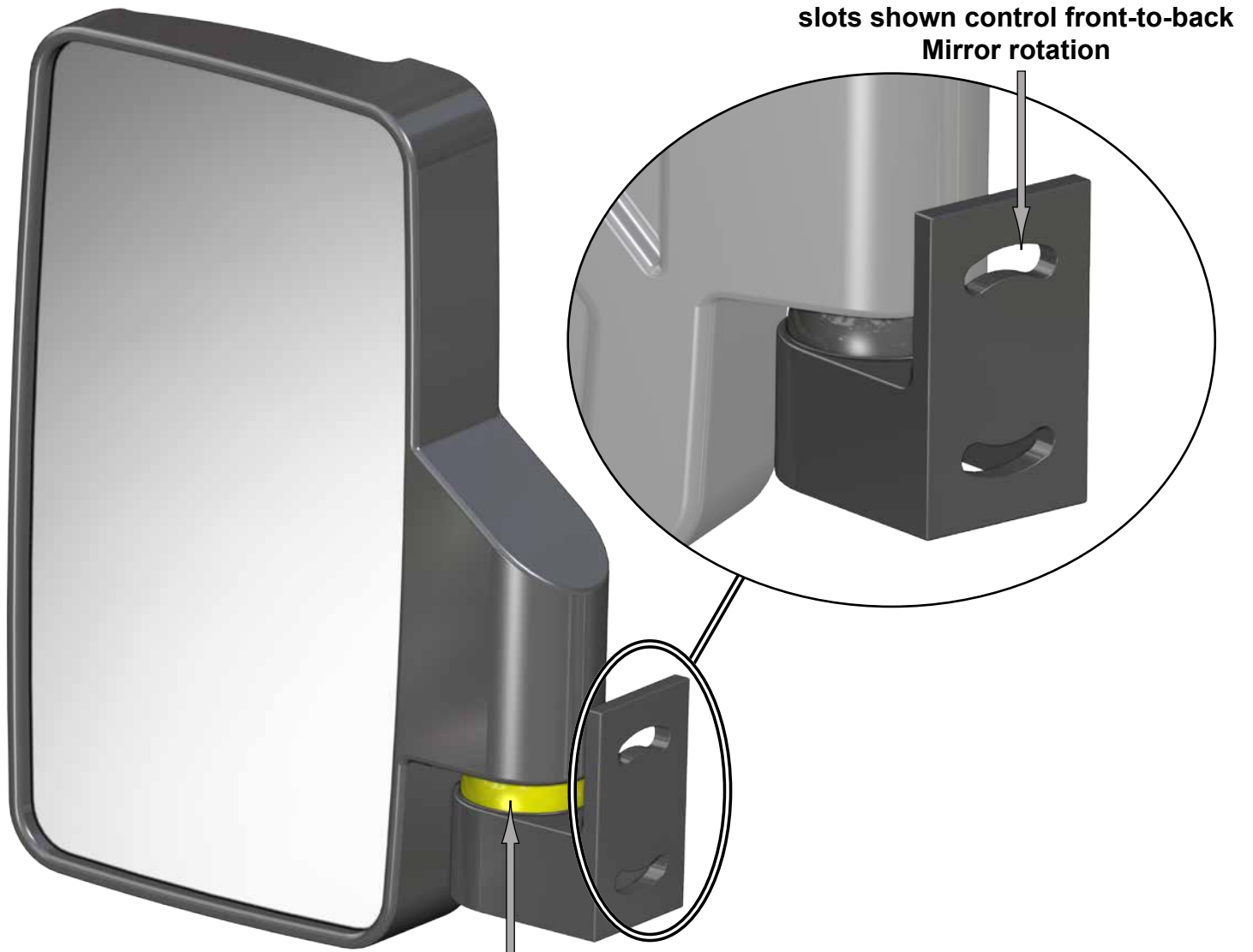
- Repeat steps for opposite side.



- Remove installed Mounts on Mirrors.
Discard Mount and hardware.

- Install Mirrors to Doors with hardware shown.





- Mirror is spring loaded and can also be adjusted here.
- Ball will allow adjustment in various directions.

