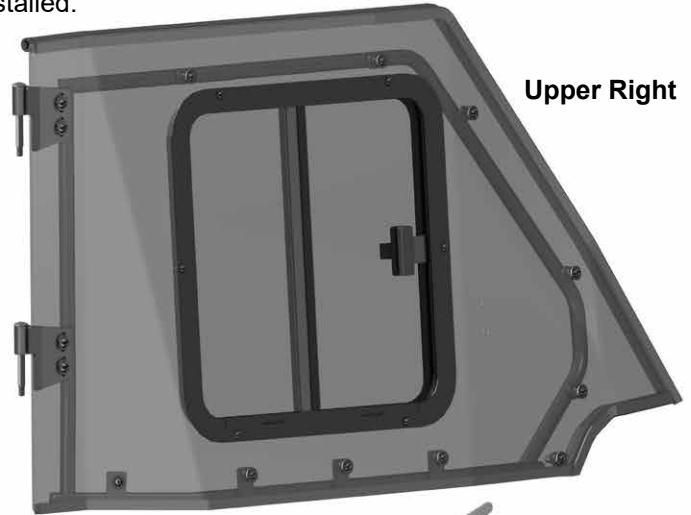


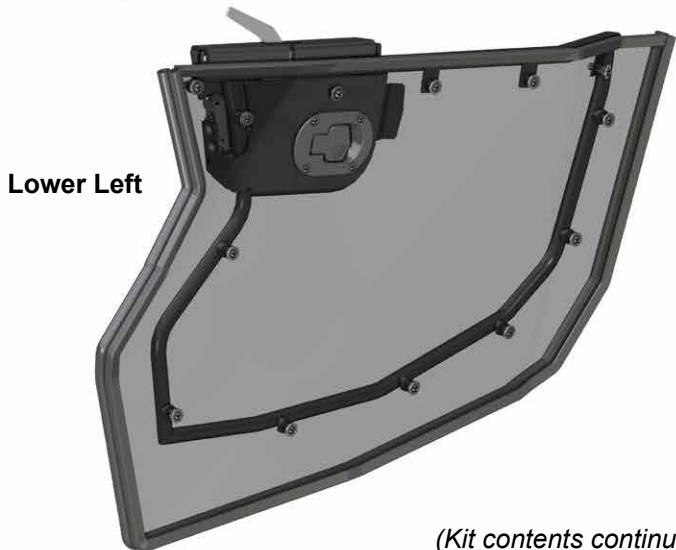
- Do not discard packaging until product has been successfully installed.



Upper Left



Upper Right



Lower Left



Lower Right

(Kit contents continue on following page)

Door Cleaning:

- Do not use Rain-X[®], Plexus[®] or any other protector, wax, or polish.
 - Do not use window cleaning fluids (Windex, 409, etc) or any solvents (gasoline, denatured alcohol, acetone, etc).
 - Never use abrasive cleaners, abrasive pads, or gritty cloths.
 - Never use razor blades, scrapers, squeegees, brushes, etc.
1. Thoroughly rinse Doors to float off dirt and mud.
 2. Using a soft cloth, or microfiber cloth, clean Doors with warm water and a gentle detergent. Baby shampoo, rubbing alcohol, or hand washing soap can also be used.
 3. To prevent water spots, use a chamois to blot Doors dry.

Need help with your installation?



sales@superatv.com



www.superatv.com



1-855-743-3427



8:00am - 8:00pm EST M-Th
8:00am - 7:00pm EST Friday
9:00am - 2:00pm EST Saturday

Read instructions and view illustrations before beginning.

*Thank You
For Choosing*

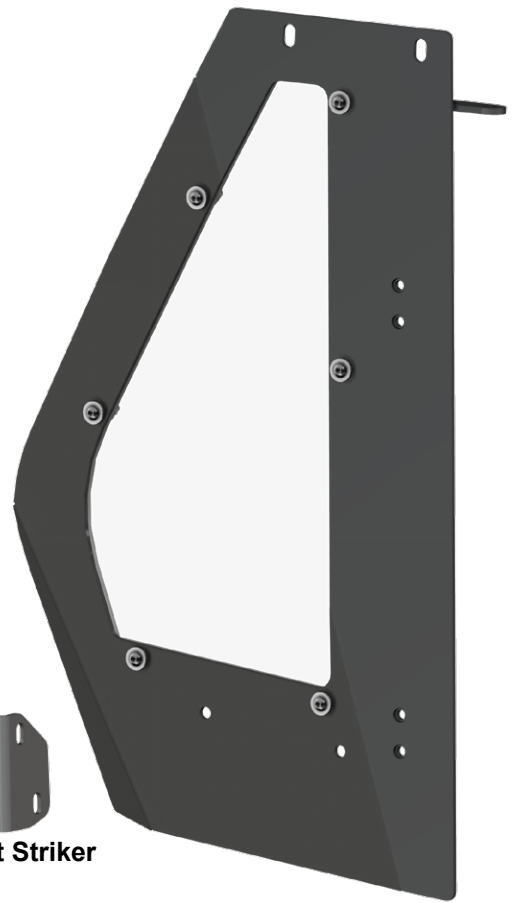
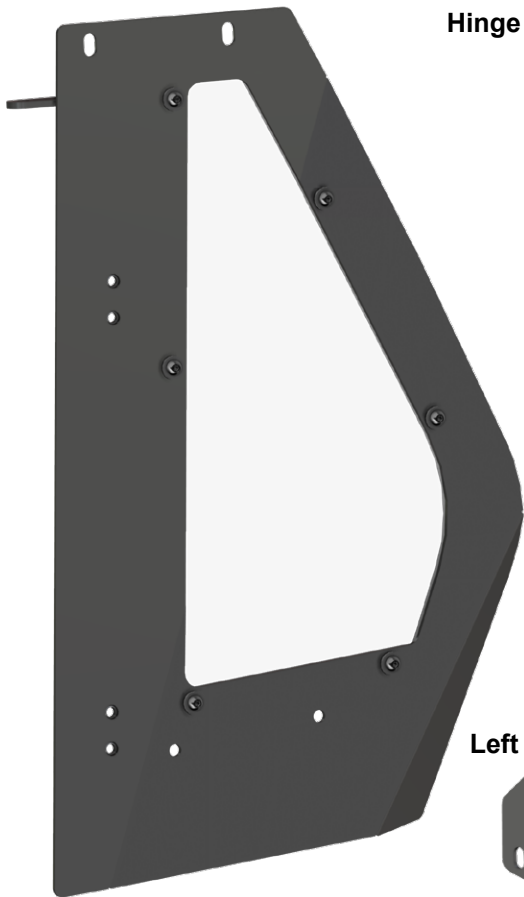


(Kit contents continued)

Hinge Bracket Left

Hinge Bracket Right

Right Window Bracket



Left Striker



Clamp x 4



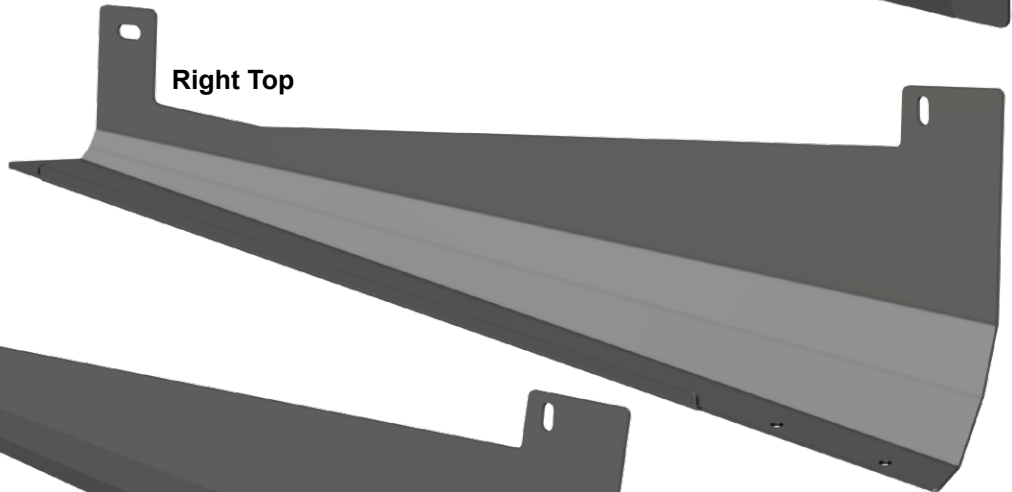
Right Striker

Left Window Bracket

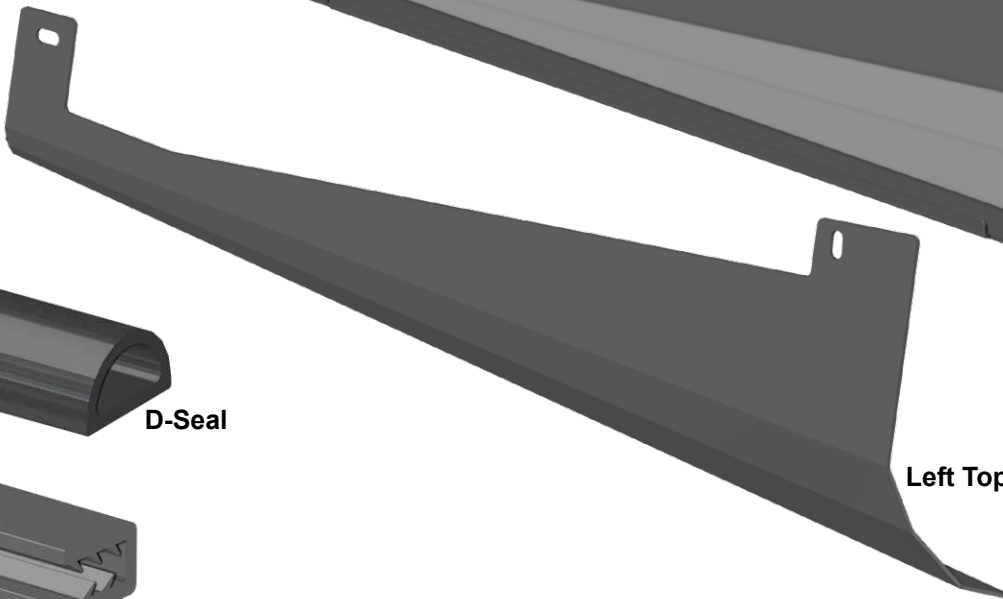
Strap x 2



Right Top



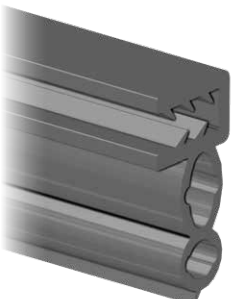
Left Top



D-Seal



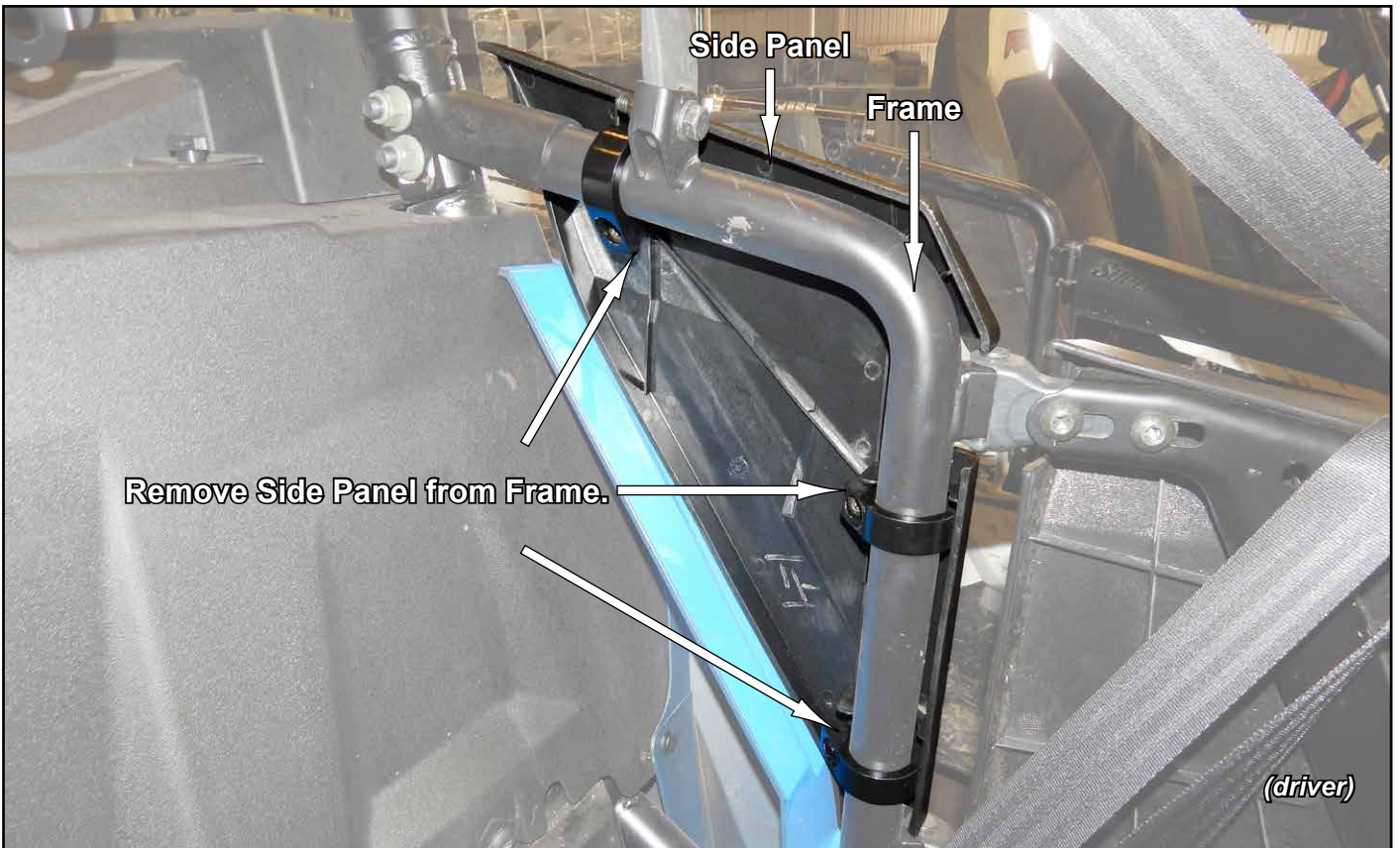
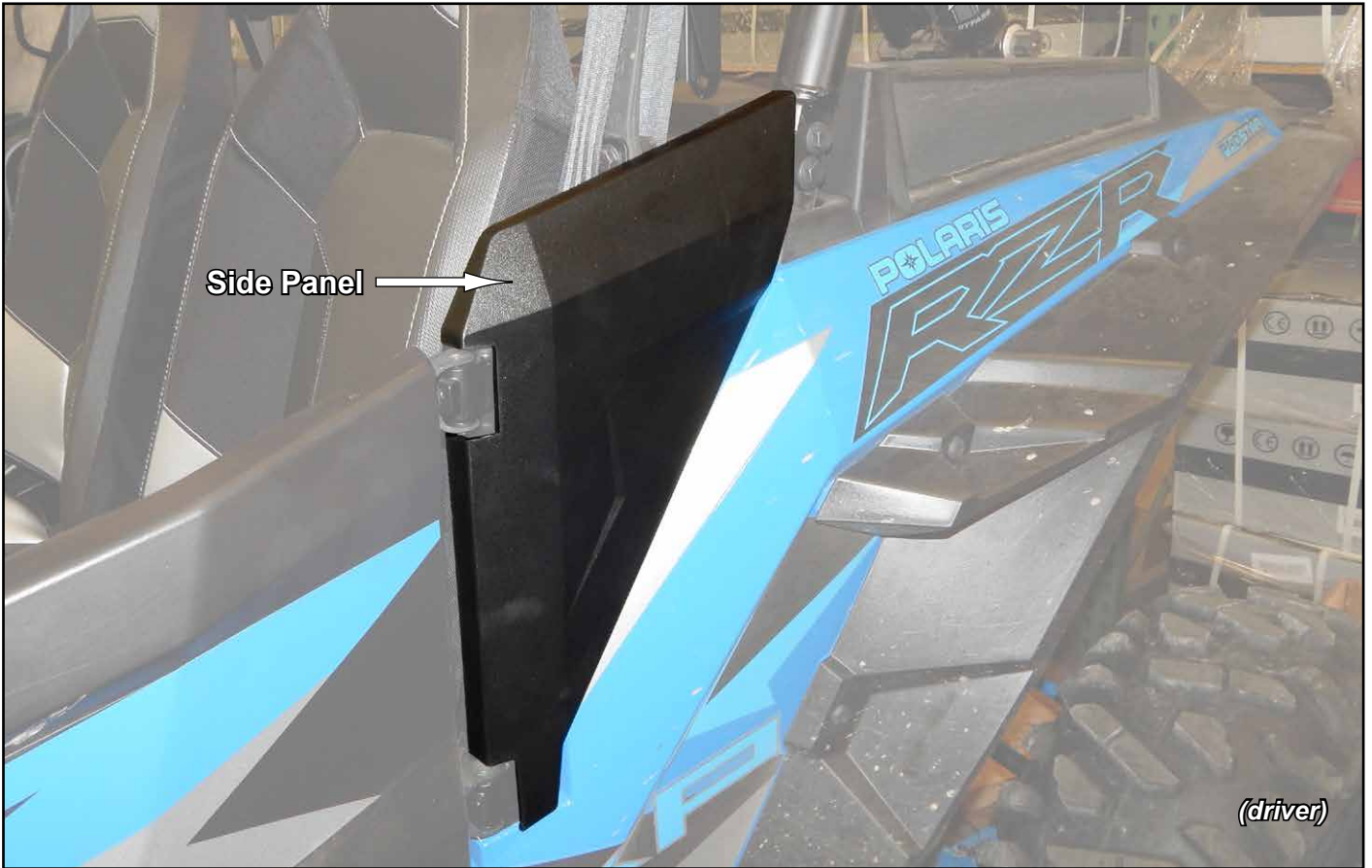
Gasket



Foam

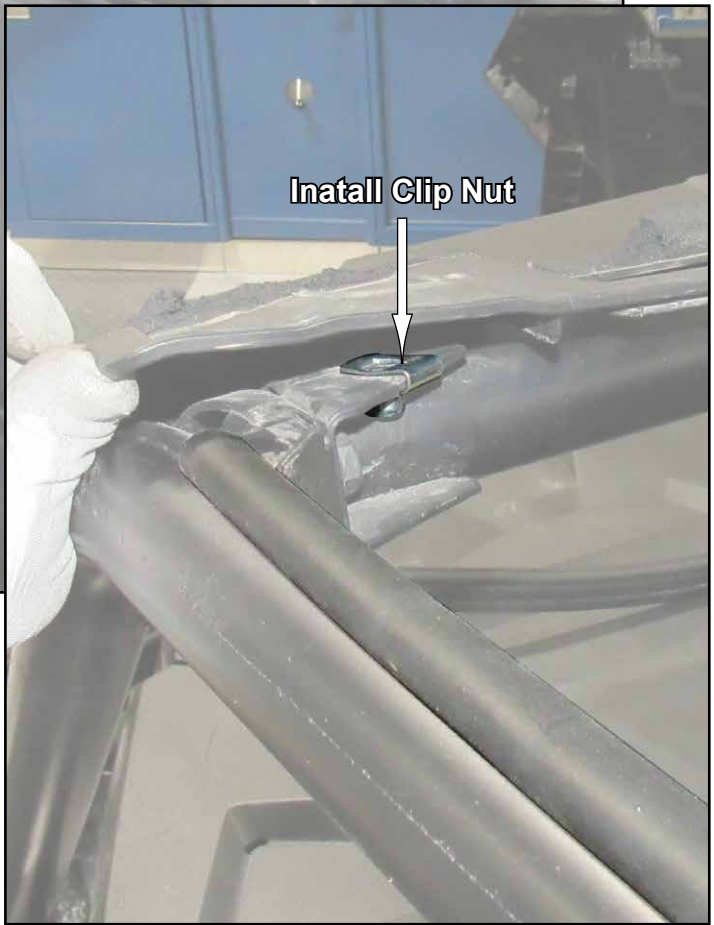


SuperATV SP-P-RZR1K Side Panles must be removed





Reinstall Side Panel.



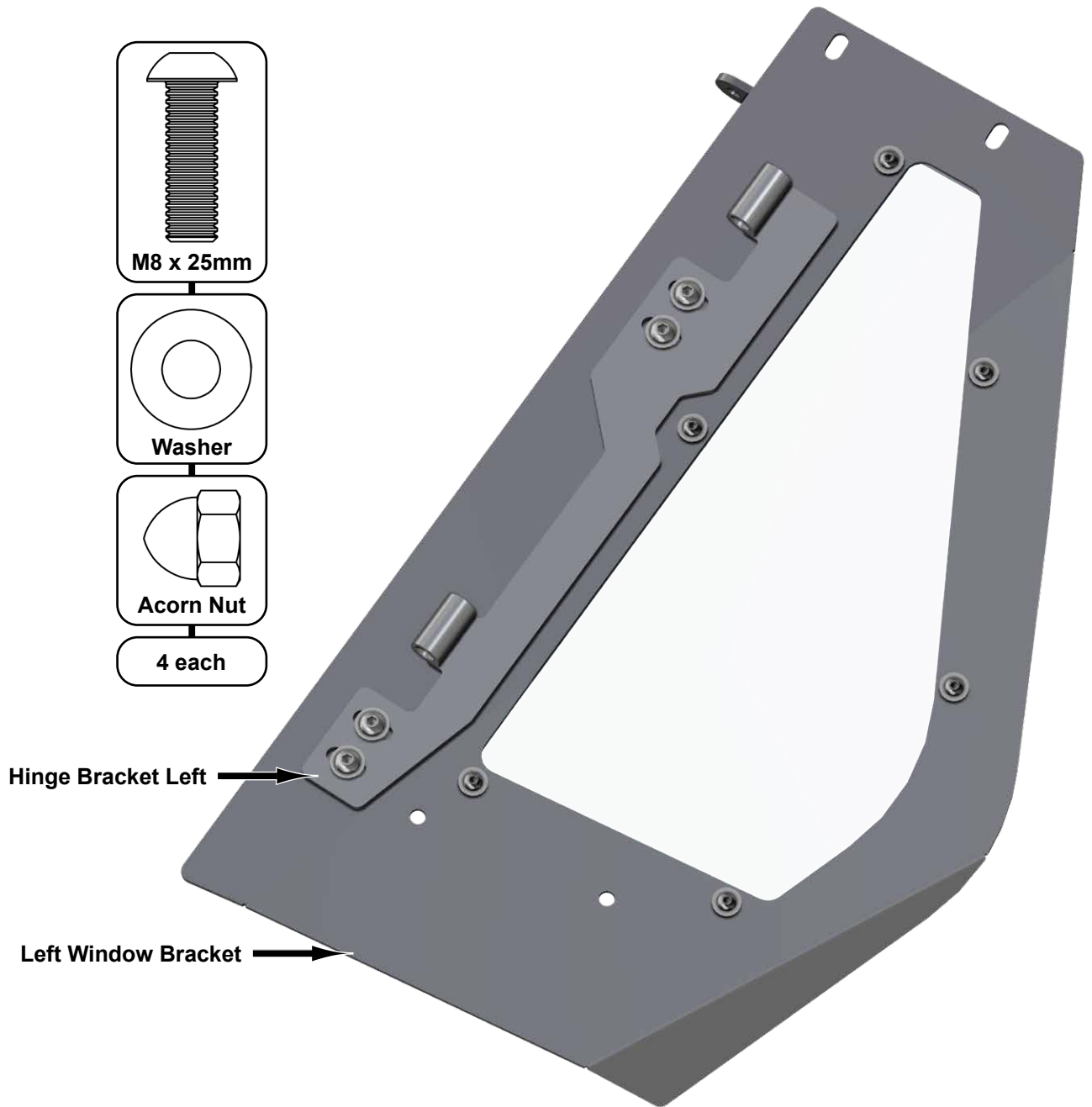


- Install Foam to Left Top in location shown.

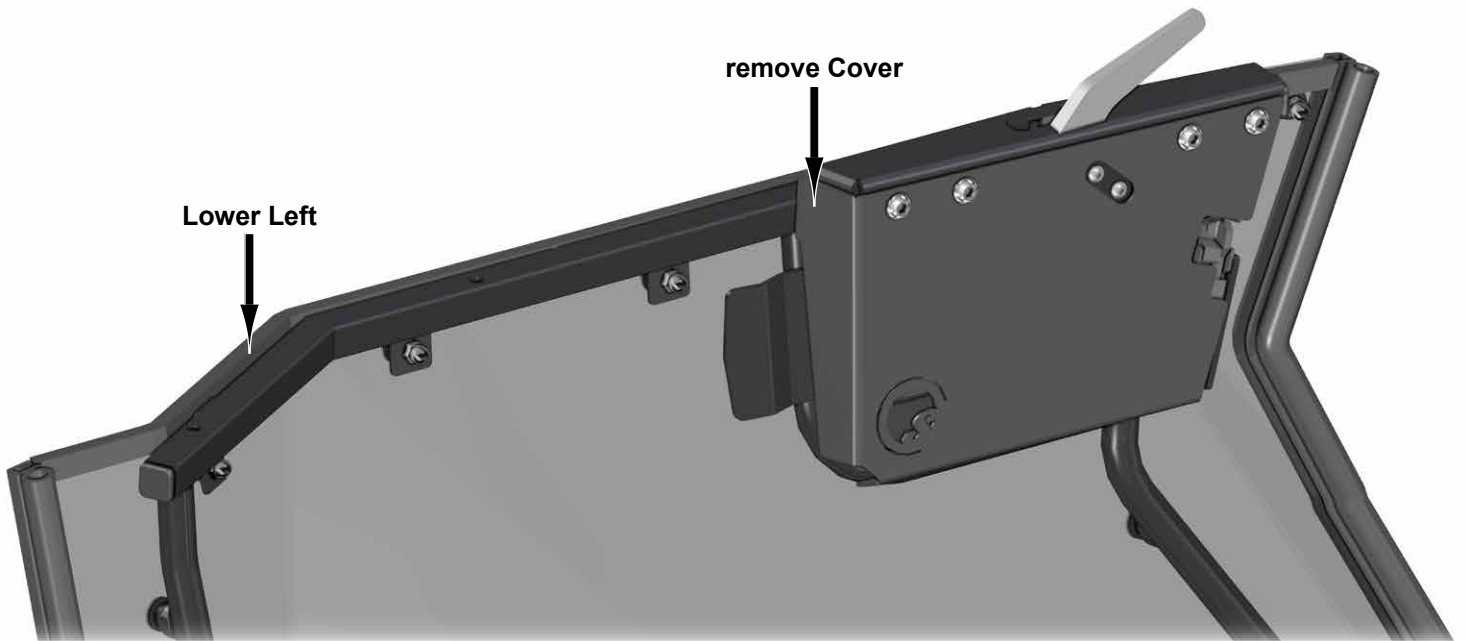
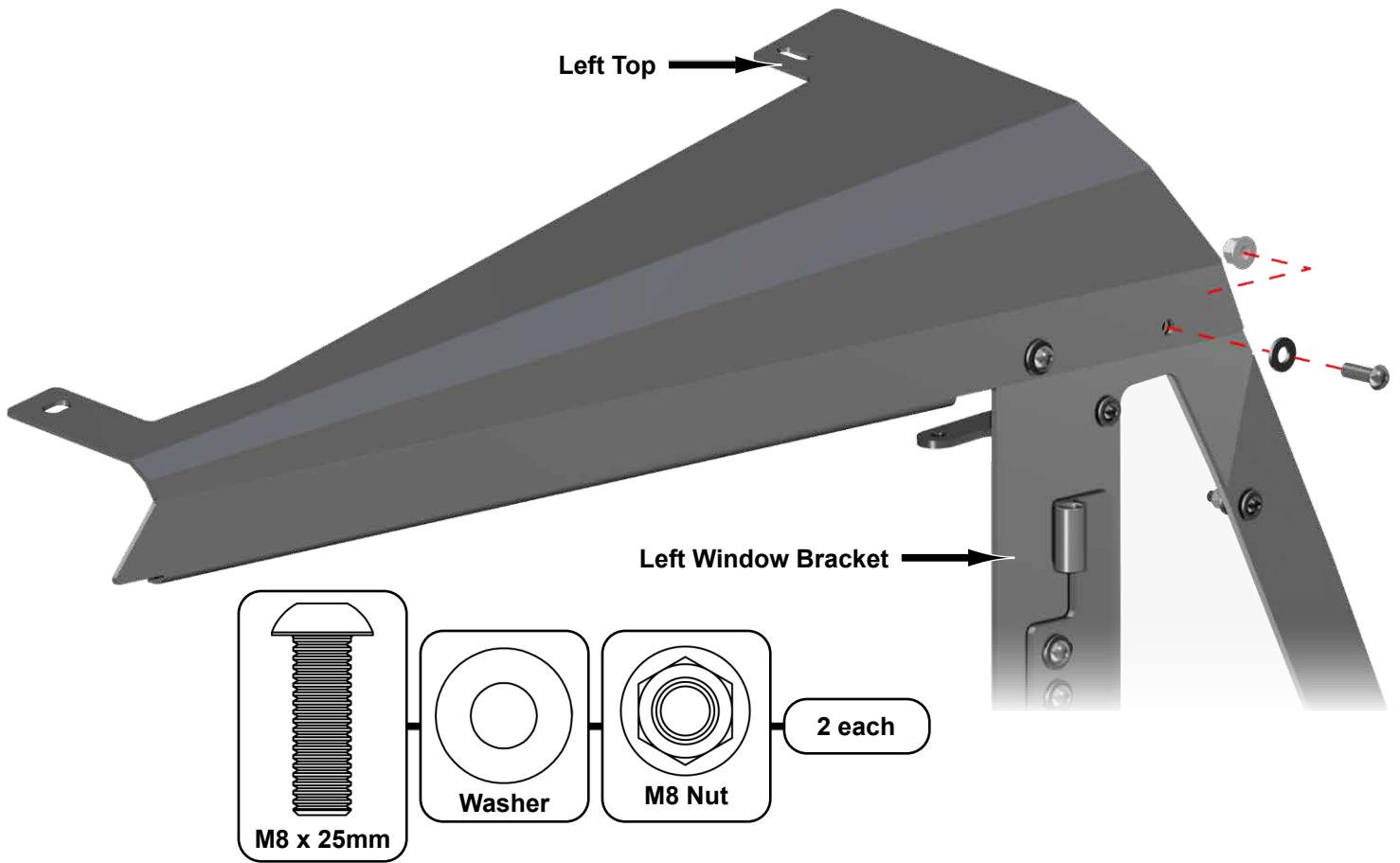


- Install Foam to Left Window Bracket in location shown.

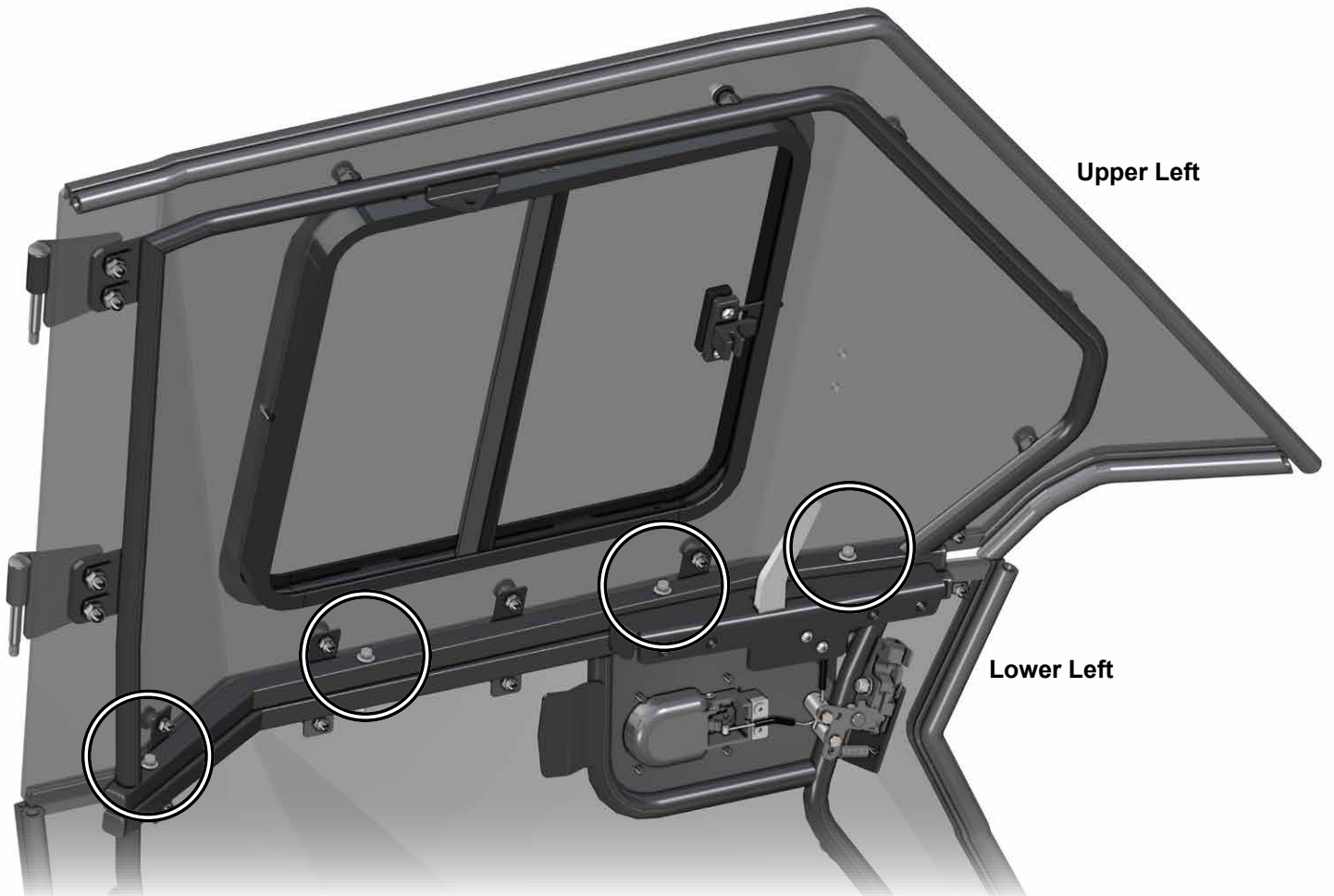
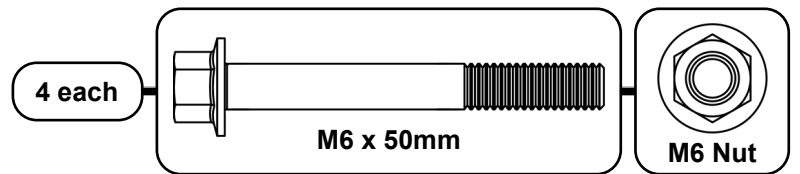
- Install Hinge Bracket Left to Left Window Bracket with hardware shown; do not tighten.



- Install Left Top to Left Window Bracket with hardware shown; do not tighten.



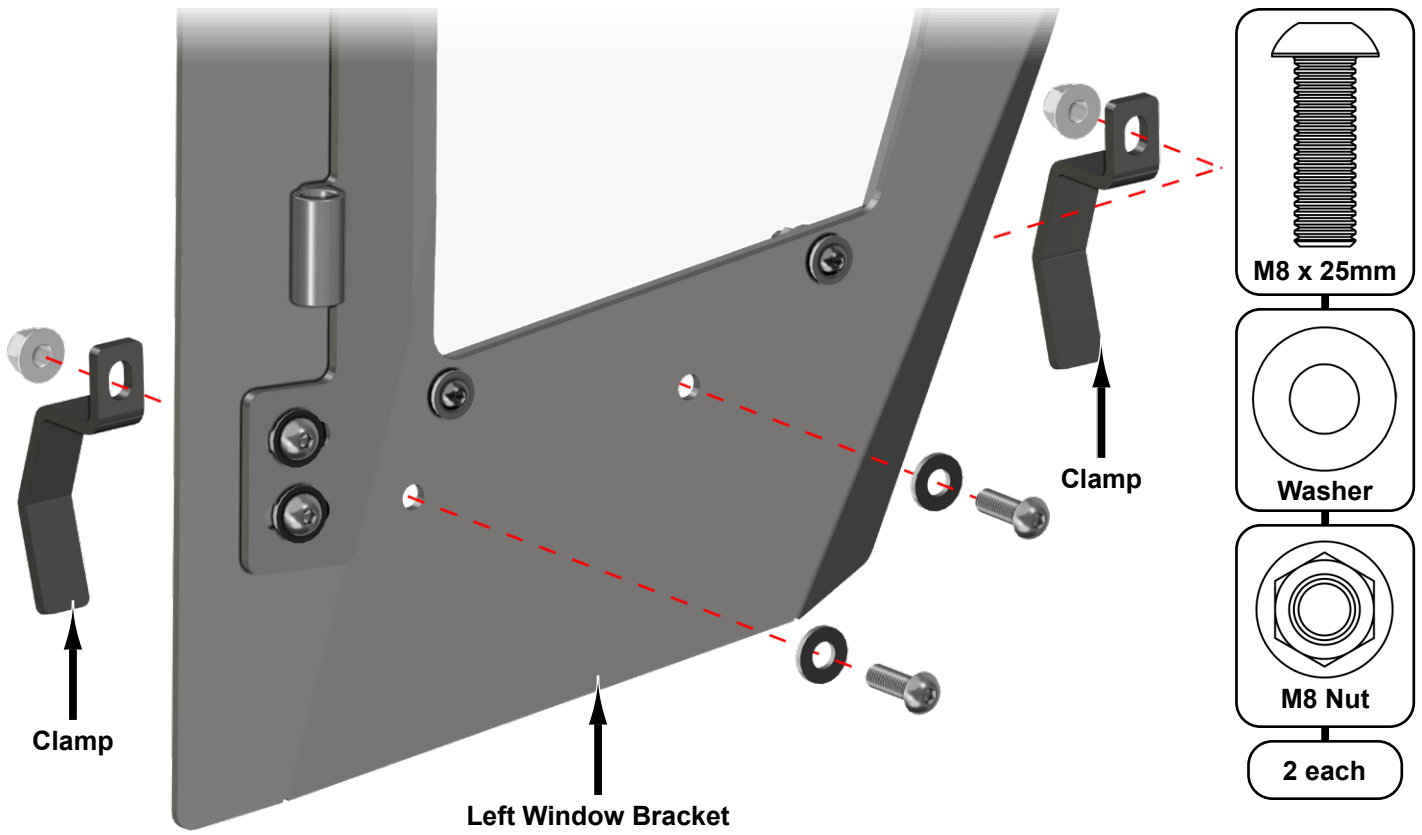
- Install Upper Left to Lower Left with hardware shown; tighten.
- Reinstall Cover.



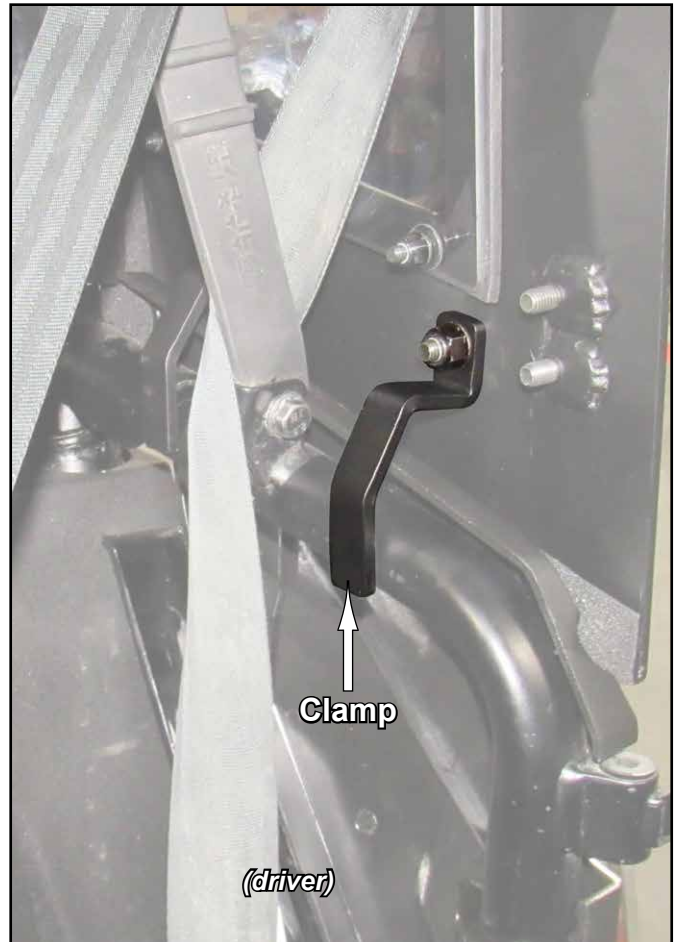
SuperATV Roof: Place assembly and SuperATV Roof onto machine. Secure with hardware shown; do not tighten.

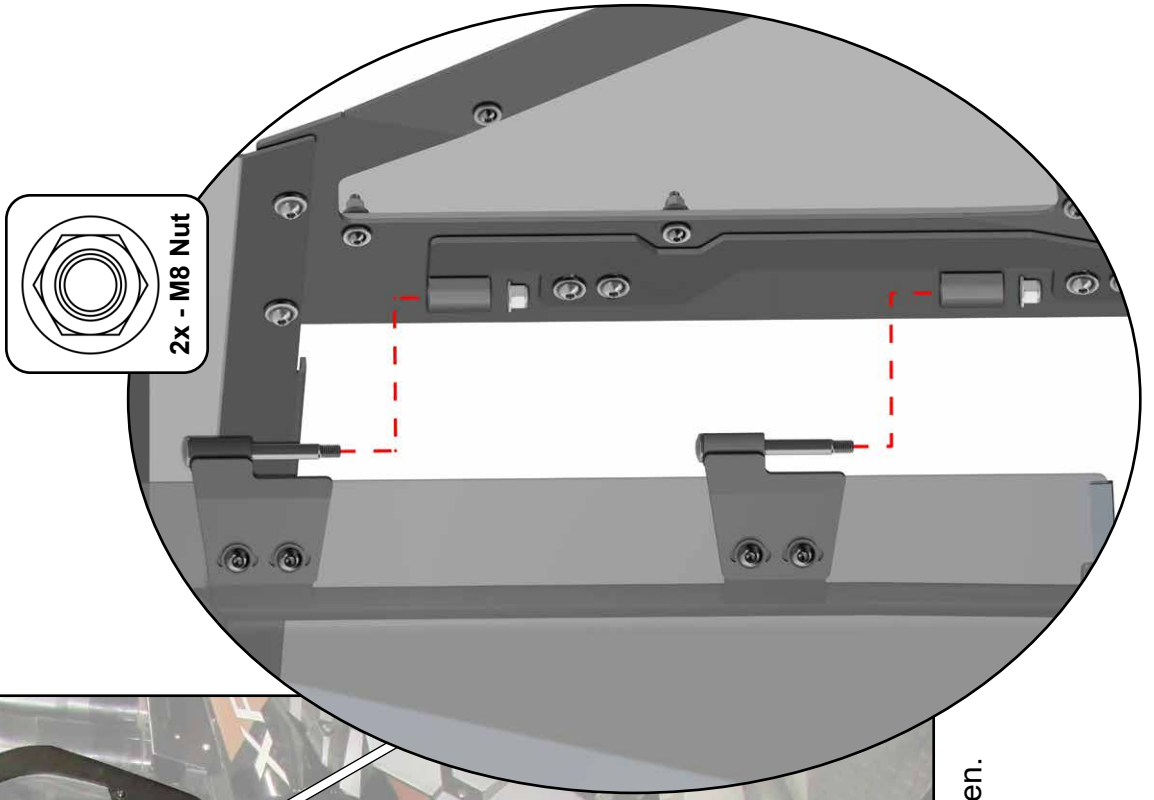
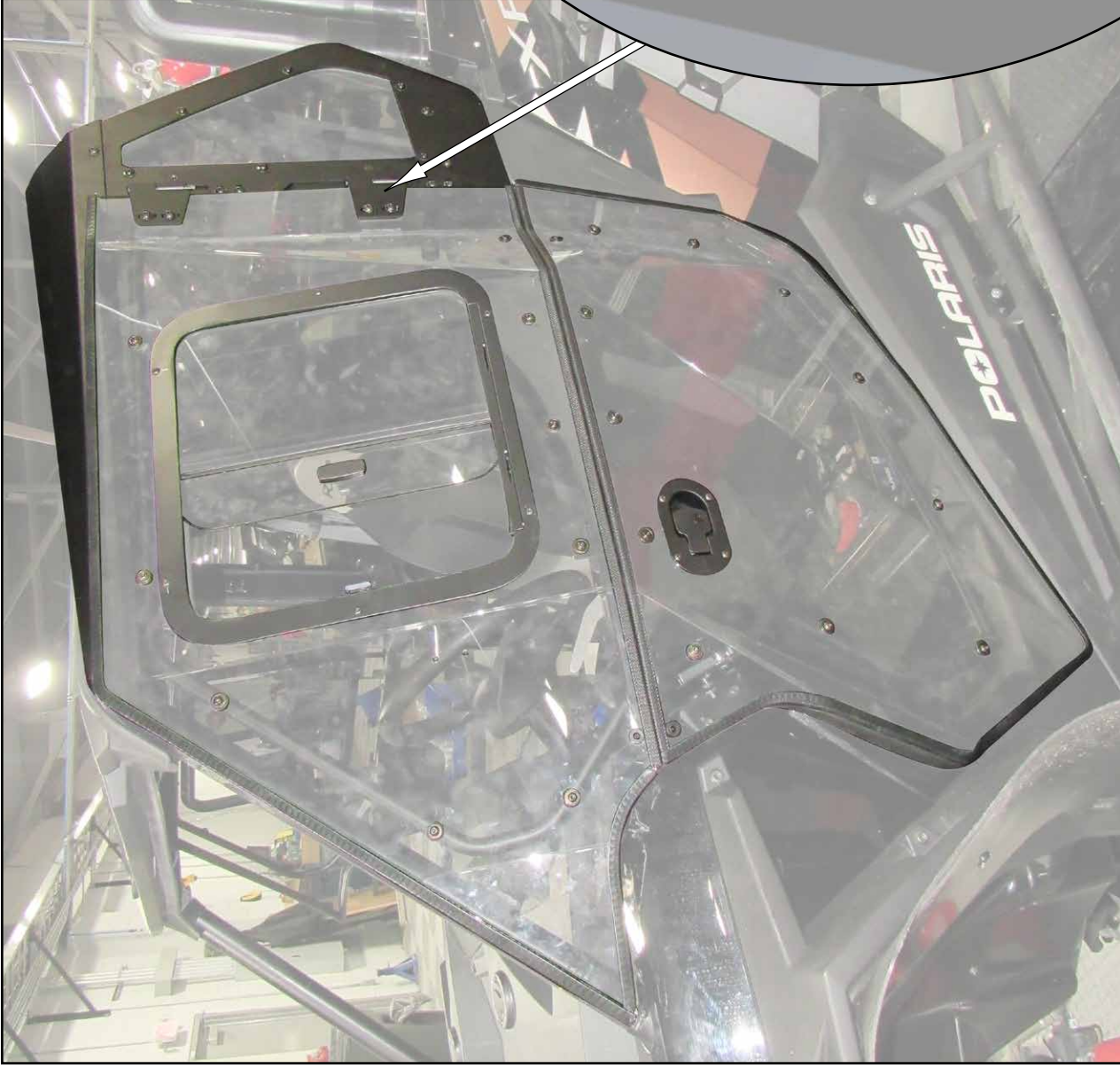
OEM Roof: Place assembly onto machine and secure with hardware shown; do not tighten.





- Install Clamps to Left Window Bracket with hardware shown; do not tighten.



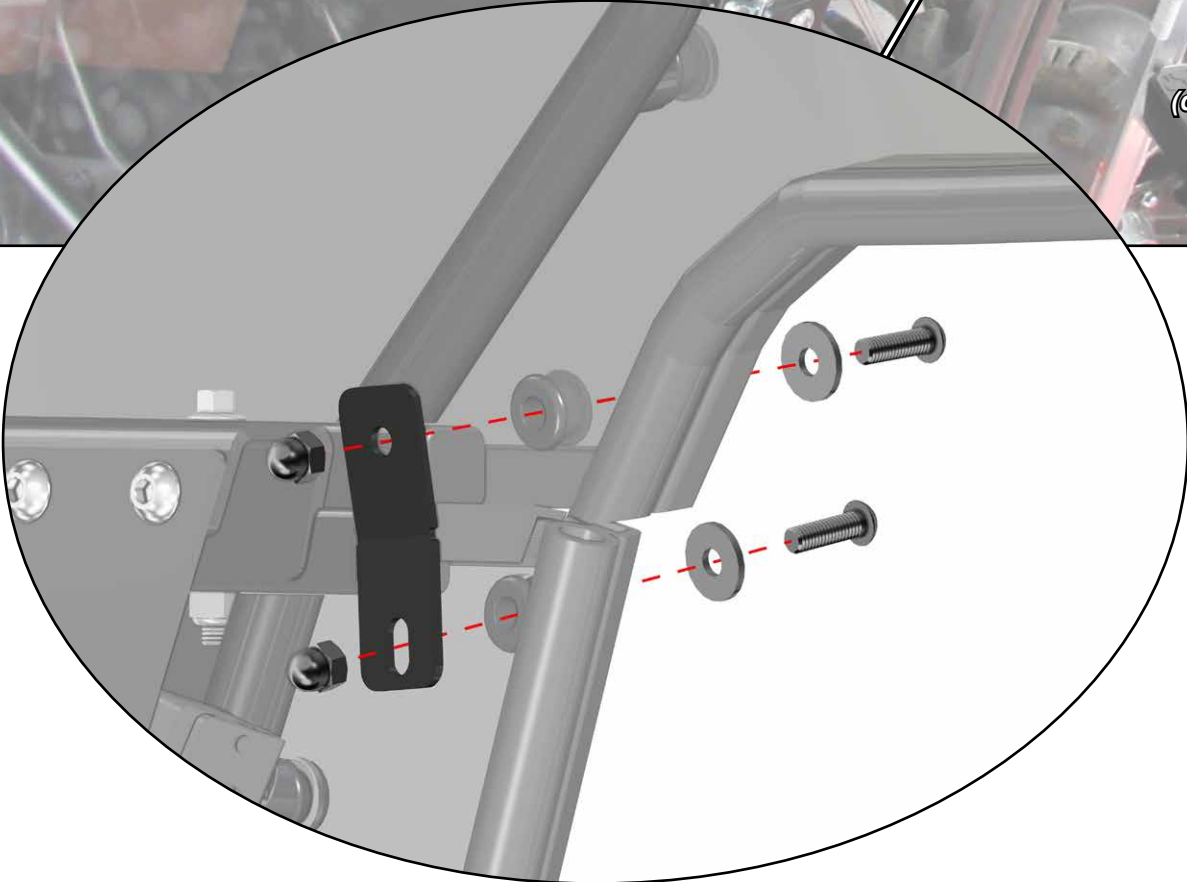
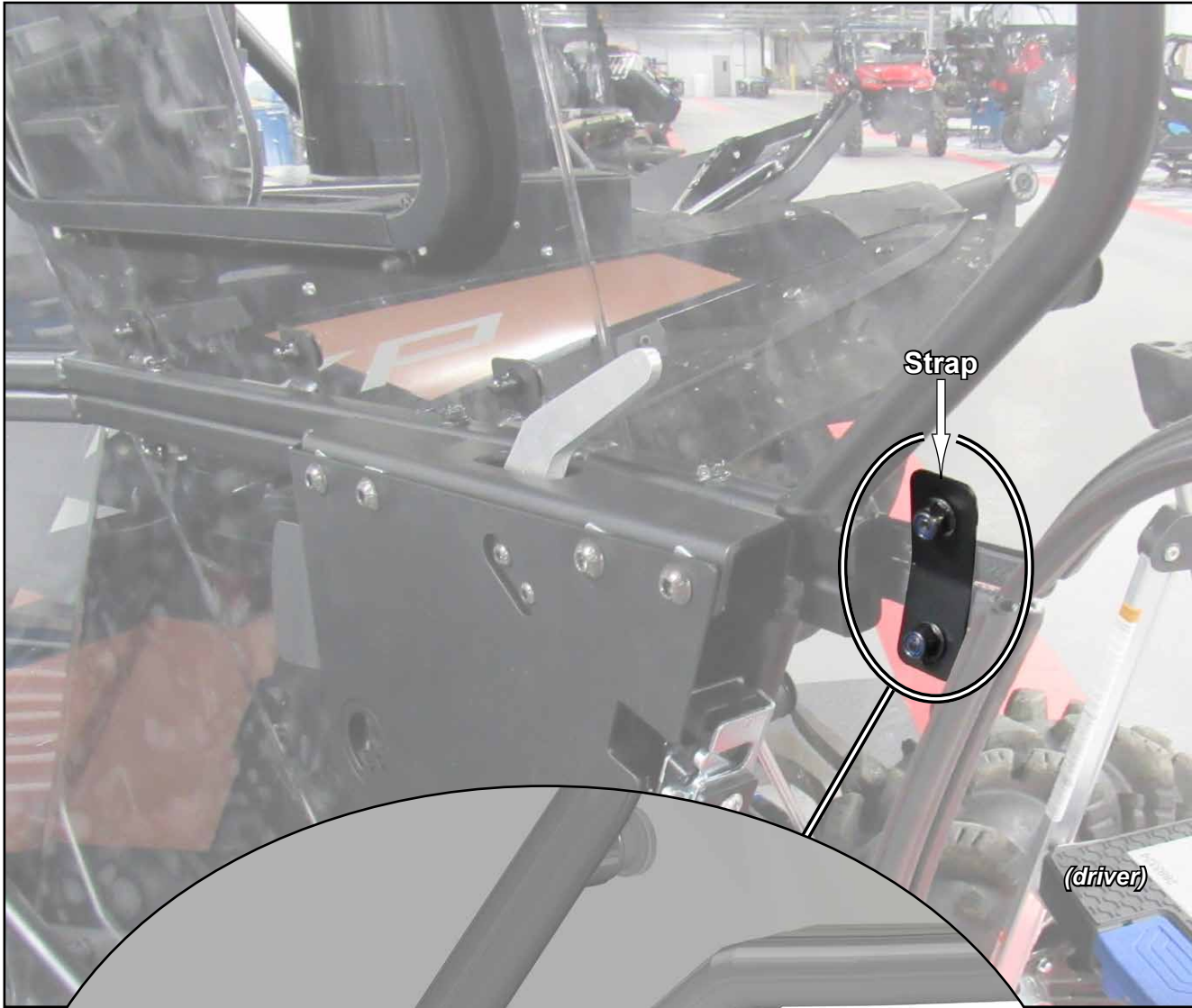


- Install Upper Left to Hinge Bracket Left. Secure with hardware shown; tighten.

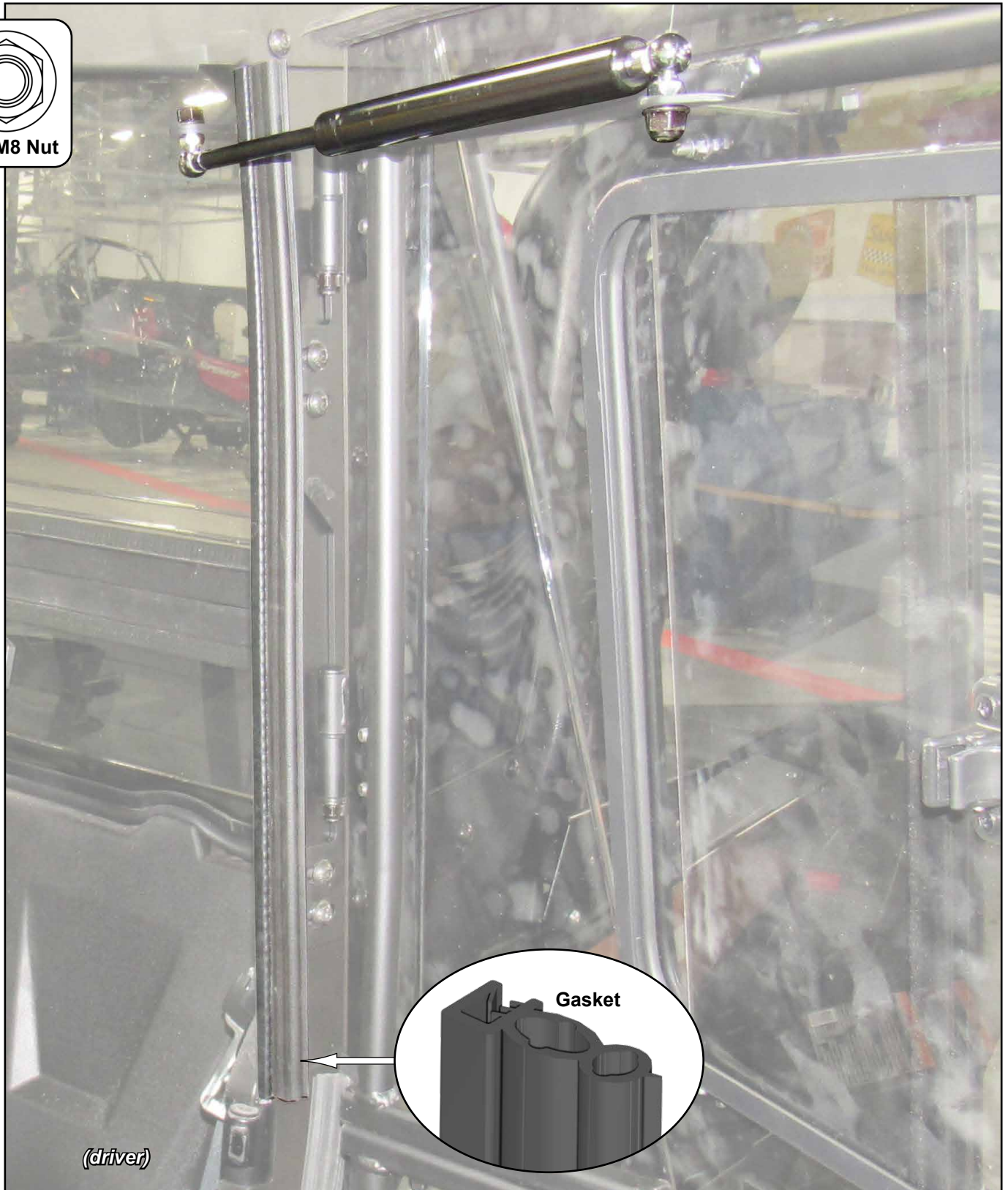
- Replace stock Striker with Left Striker. Reuse stock plastic Shim and bolts.



- Remove Door hardware shown and install Strap. Reuse Door hardware; tighten.



- Install Gasket to Left Window Bracket.
- Install Strut with hardware shown; tighten.



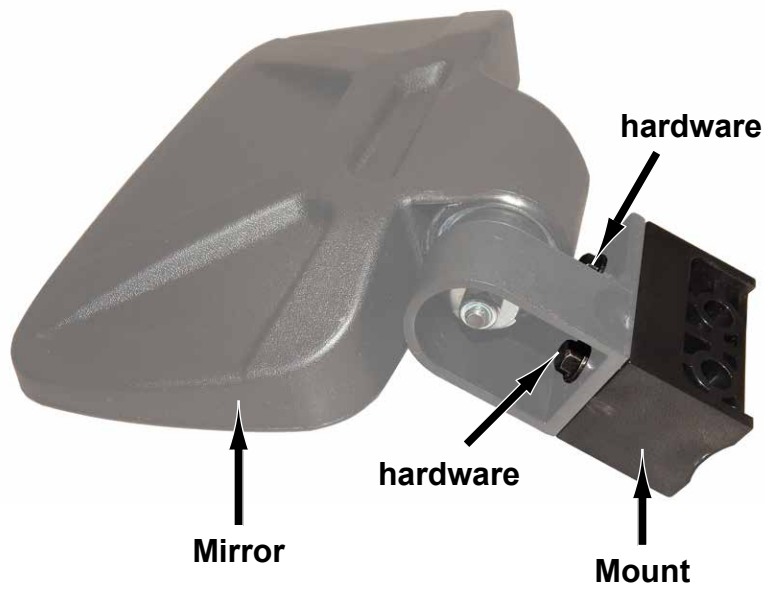
- Close Door and engage Latch.
- Align Door to machine and tighten all hardware.

Repeat steps for opposite Door.

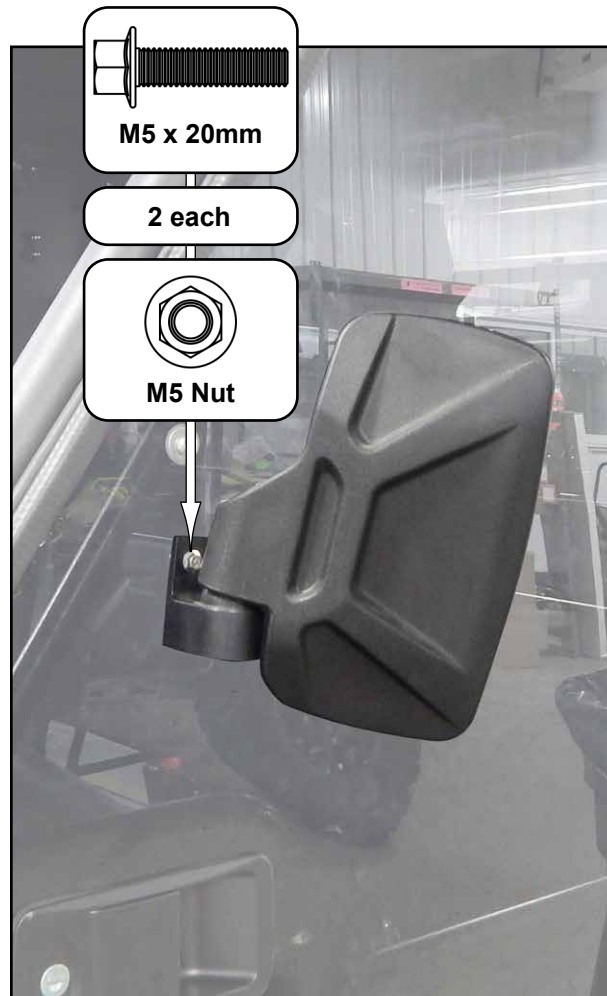
- Install D-Seal to Cage.
- Repeat for driver side.



- Remove installed Mounts on Mirrors. Use 8mm Wrench. Discard Mount and hardware.



- Install Mirrors to Doors with hardware shown.



Liability Statement

SuperATV's® products are designed to best fit user's ATV/UTV under stock conditions. Adding, modifying, or fabricating any factory or aftermarket parts will void any warranty provided by SuperATV® and is not recommended. SuperATV's® products could interfere with other aftermarket accessories. If user has aftermarket products on machine, contact SuperATV® to verify that they will work together.

Although SuperATV® has thousands of satisfied customers, user should be aware that installing lift kits, long travel, or suspension kits, tires, etc. will change the ride of machine and may increase maintenance and part wear. Operating any off-road machine while, or after, consuming alcohol and/or drugs increases risk of bodily harm or death. No warranty or representation is made as to this product's ability to protect user from severe injury or death. SuperATV® urges operators and occupants to wear a helmet and appropriate riding gear at all times.

By purchasing and installing SuperATV® products, user agrees that should damages occur, SuperATV® will not be held responsible for loss of time, use, labor fees, replacement parts, or freight charges. SuperATV®, nor any 3rd party, will not be held responsible for any direct, indirect, incidental, special, or consequential damages that result from any product purchased from SuperATV®. The total liability of seller to user for all damages, losses, and causes of action, if any, shall not exceed the total purchase price paid for the product that gave rise to the claim.

SuperATV® will warranty only parts provided by SuperATV®. Any damage or problems with OEM housings, bearings, seals, or other manufacturers' products will not be covered by SuperATV®. SuperATV® parts and products are not warrantied if item was not installed properly, misused, or modified.

Installing, adding, modifying, or fabricating any factory or aftermarket product to your ATV/UTV may violate certain local, state, and federal laws. Be advised that laws vary depending on town, city, county, state, etc. Use of certain products on public streets, roads, or highways may be in violation law. The Buyer is solely and exclusively legally and personally responsible for any violation of the law by the installation or use of the product. You must abide by all local, state, and federal laws, including but not limited to vehicle safety, traffic laws, and ordinances. It is your responsibility to know the laws and how they apply to you.

The Buyer is responsible to fully understand the capability and limitations of his/her vehicle according to manufacturer specifications, warnings and instructions and agrees to hold SuperATV® harmless from any damage resulting from failure to adhere to such specifications, warnings and/ or instructions. The Buyer is also responsible to obey all applicable federal, state, and local laws and ordinances when operating his/her vehicle while using this product, and the Buyer agrees to hold SuperATV® harmless from any violation thereof.