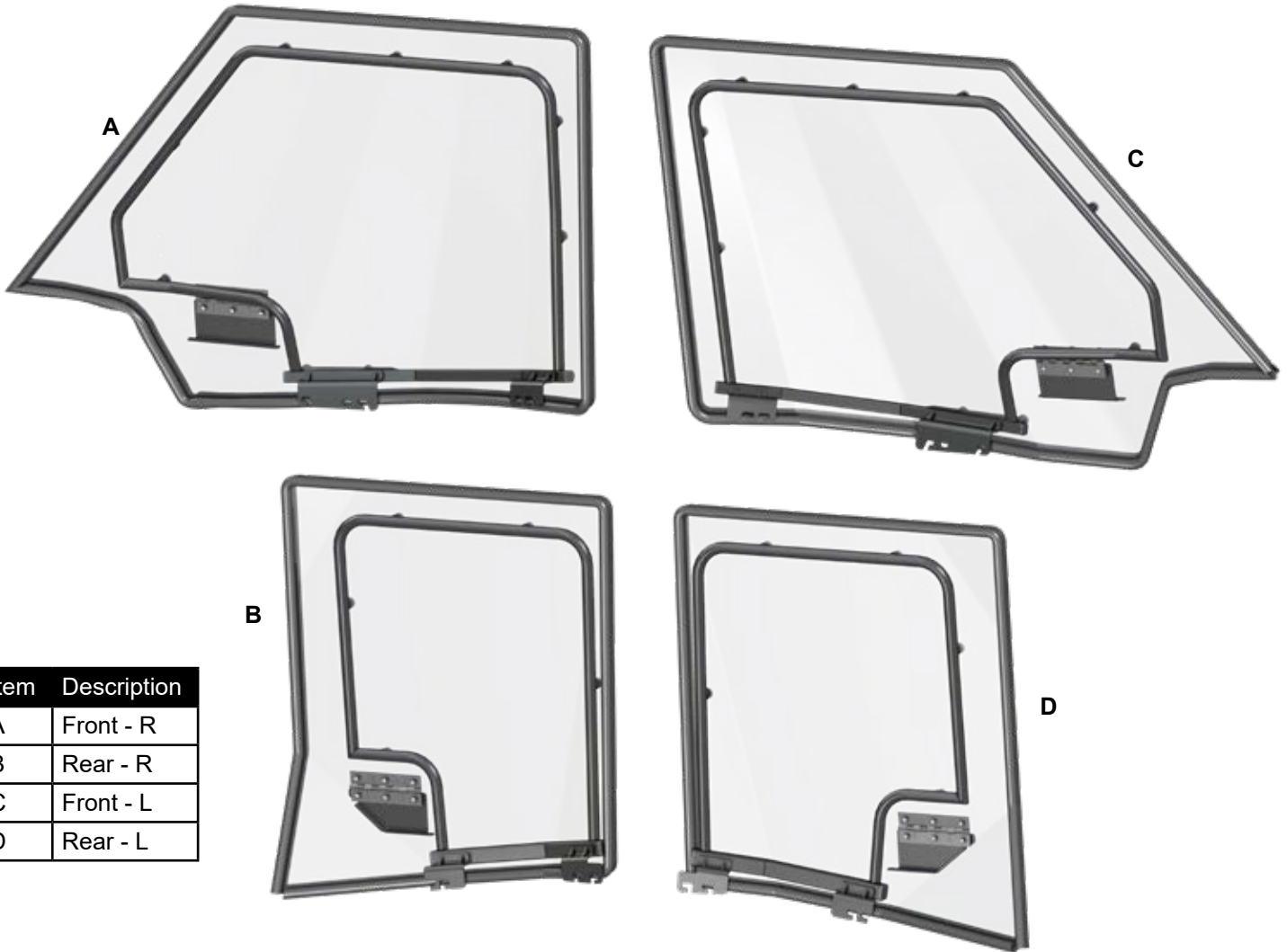


- Do not discard packaging until product has been successfully installed.
- Disregard any remaining hardware.



Item	Description
A	Front - R
B	Rear - R
C	Front - L
D	Rear - L

*(kit contents continue on following pages)*

**Door Cleaning:**

- Do not use Rain-X<sup>®</sup>, Plexus<sup>®</sup> or any other protector, wax, or polish.
  - Do not use window cleaning fluids (Windex, 409, etc) or any solvents (gasoline, denatured alcohol, acetone, etc).
  - Never use abrasive cleaners, abrasive pads, or gritty cloths.
  - Never use razor blades, scrapers, squeegees, brushes, etc.
1. Thoroughly rinse Doors to float off dirt and mud.
  2. Using a soft cloth, or microfiber cloth, clean Doors with warm water and a gentle detergent. Baby shampoo, rubbing alcohol, or hand washing soap can also be used.
  3. To prevent water spots, use a chamois to blot Doors dry.

**Need help with your installation?**

✉ sales@superatv.com    🌐 www.superatv.com

☎ 1-855-743-3427    🕒 8:00am - 8:00pm EST M-Th  
 8:00am - 7:00pm EST Friday  
 9:00am - 2:00pm EST Saturday

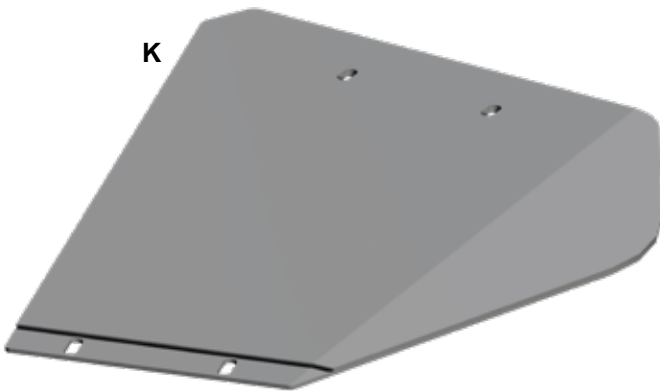
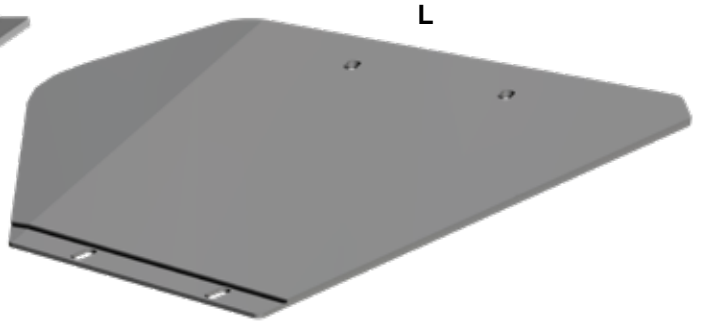
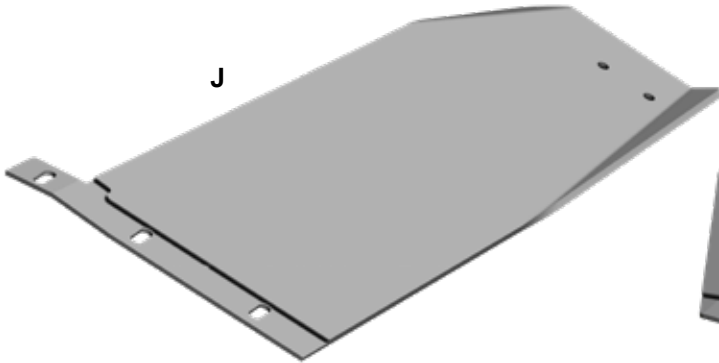
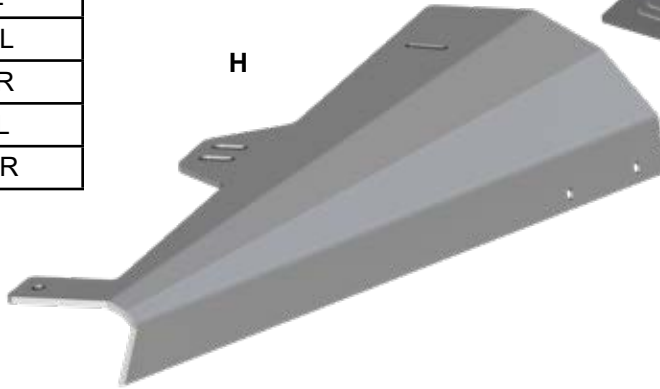
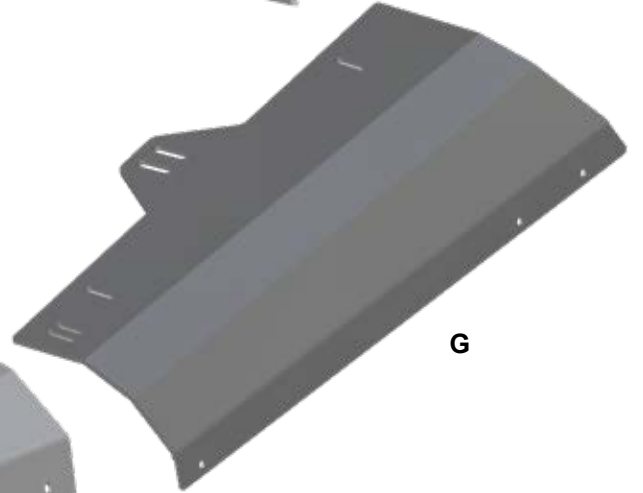
**Read instructions and view illustrations before beginning.**

*Thank You  
 For Choosing*  
**SUPERATV**.COM<sup>®</sup>

(kit contents continued)

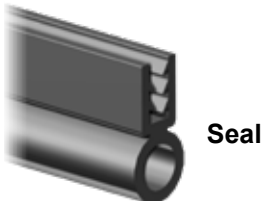
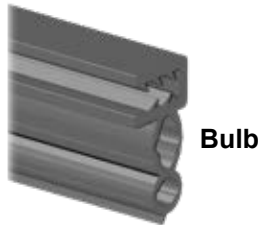
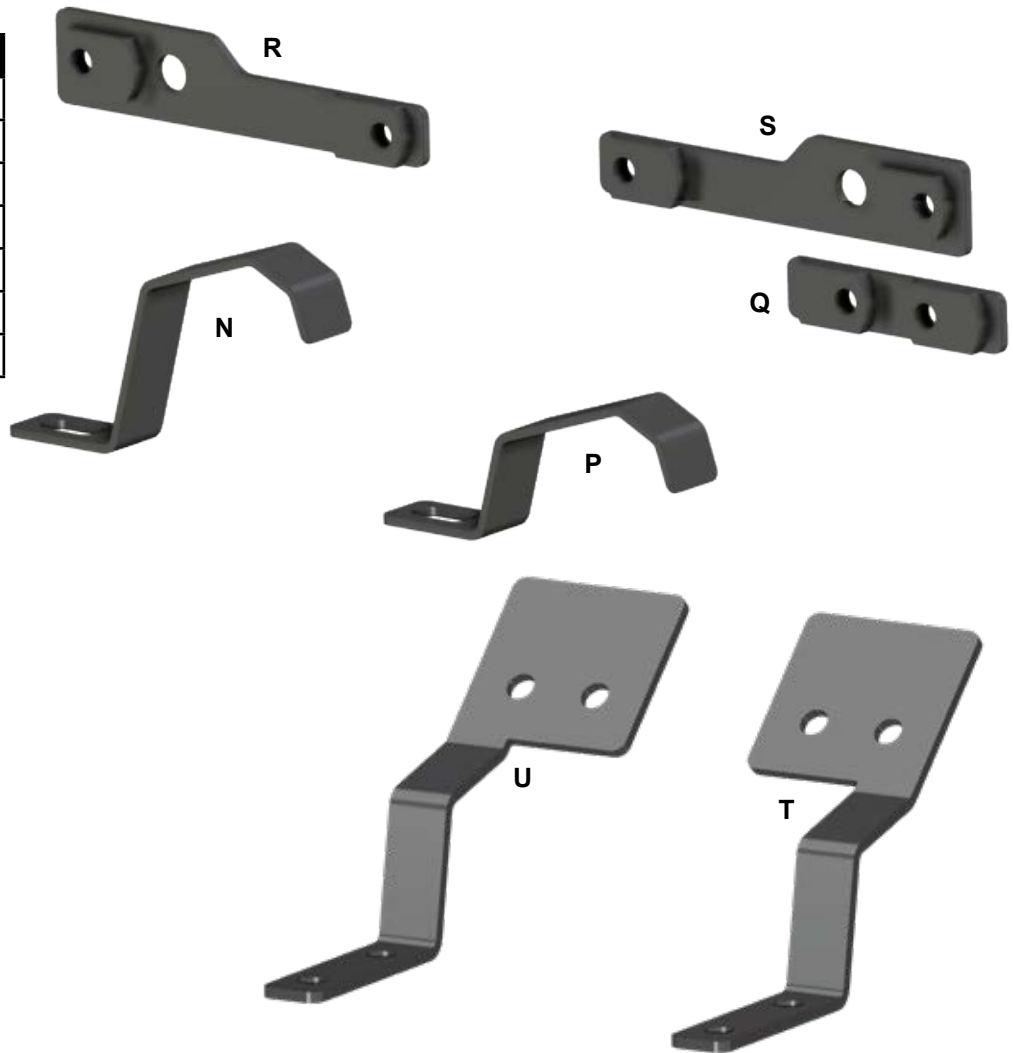


Item	Description
E	Top Rear - R
F	Top Front - R
G	Top Rear - L
H	Top Front - L
J	Side Front - L
K	Side Rear - R
L	Side Rear - L
M	Side Front - R



(kit contents continued)

Item	Description
N	Large Clamp x 8
P	Small Clamp x 4
Q	Nut Plate x 6
R	Door Bracket Front - L
S	Door Bracket Front - R
T	Side Mount - R
U	Side Mount - L



**Use hardware shown when installing Mirrors,  
not included, to Front Doors.  
(2 each)**



**M5 x 20mm**



**M5 Nut**

**Liability Statement**

SuperATV's® products are designed to best fit user's ATV/UTV under stock conditions. Adding, modifying, or fabricating any factory or aftermarket parts will void any warranty provided by SuperATV® and is not recommended. SuperATV's® products could interfere with other aftermarket accessories. If user has aftermarket products on machine, contact SuperATV® to verify that they will work together.

Although SuperATV® has thousands of satisfied customers, user should be aware that installing lift kits, long travel, or suspension kits, tires, etc. will change the ride of machine and may increase maintenance and part wear. Operating any off-road machine while, or after, consuming alcohol and/or drugs increases risk of bodily harm or death. No warranty or representation is made as to this product's ability to protect user from severe injury or death. SuperATV® urges operators and occupants to wear a helmet and appropriate riding gear at all times.

By purchasing and installing SuperATV® products, user agrees that should damages occur, SuperATV® will not be held responsible for loss of time, use, labor fees, replacement parts, or freight charges. SuperATV®, nor any 3rd party, will not be held responsible for any direct, indirect, incidental, special, or consequential damages that result from any product purchased from SuperATV®. The total liability of seller to user for all damages, losses, and causes of action, if any, shall not exceed the total purchase price paid for the product that gave rise to the claim.

SuperATV® will warranty only parts provided by SuperATV®. Any damage or problems with OEM housings, bearings, seals, or other manufacturers' products will not be covered by SuperATV®. SuperATV® parts and products are not warranted if item was not installed properly, misused, or modified.

Installing, adding, modifying, or fabricating any factory or aftermarket product to your ATV/UTV may violate certain local, state, and federal laws. Be advised that laws vary depending on town, city, county, state, etc. Use of certain products on public streets, roads, or highways may be in violation law. The Buyer is solely and exclusively legally and personally responsible for any violation of the law by the installation or use of the product. You must abide by all local, state, and federal laws, including but not limited to vehicle safety, traffic laws, and ordinances. It is your responsibility to know the laws and how they apply to you.

The Buyer is responsible to fully understand the capability and limitations of his/her vehicle according to manufacturer specifications, warnings and instructions and agrees to hold SuperATV® harmless from any damage resulting from failure to adhere to such specifications, warnings and/ or instructions. The Buyer is also responsible to obey all applicable federal, state, and local laws and ordinances when operating his/her vehicle while using this product, and the Buyer agrees to hold SuperATV® harmless from any violation thereof.

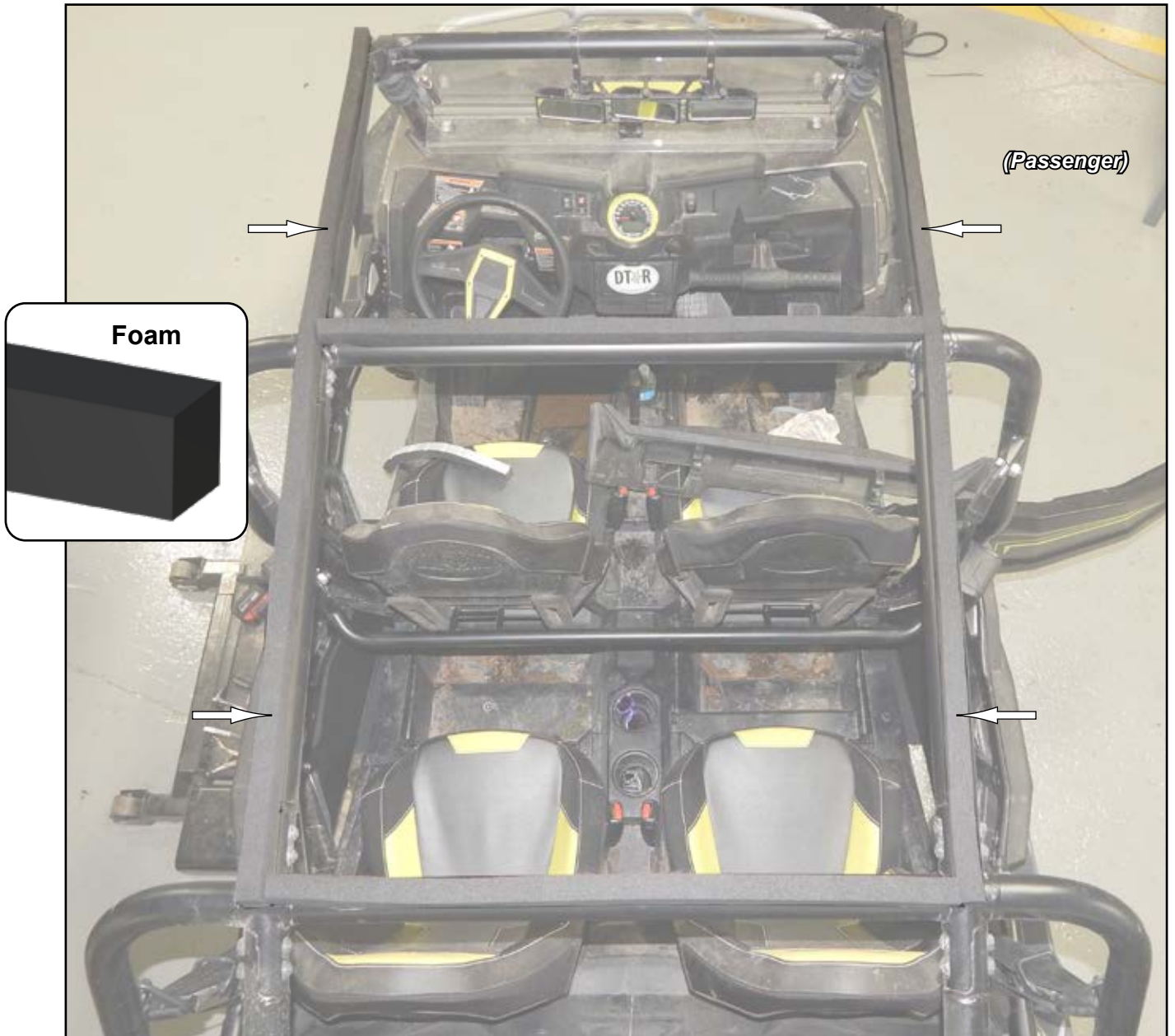
*Reference only. Do not fully assemble at this time.*



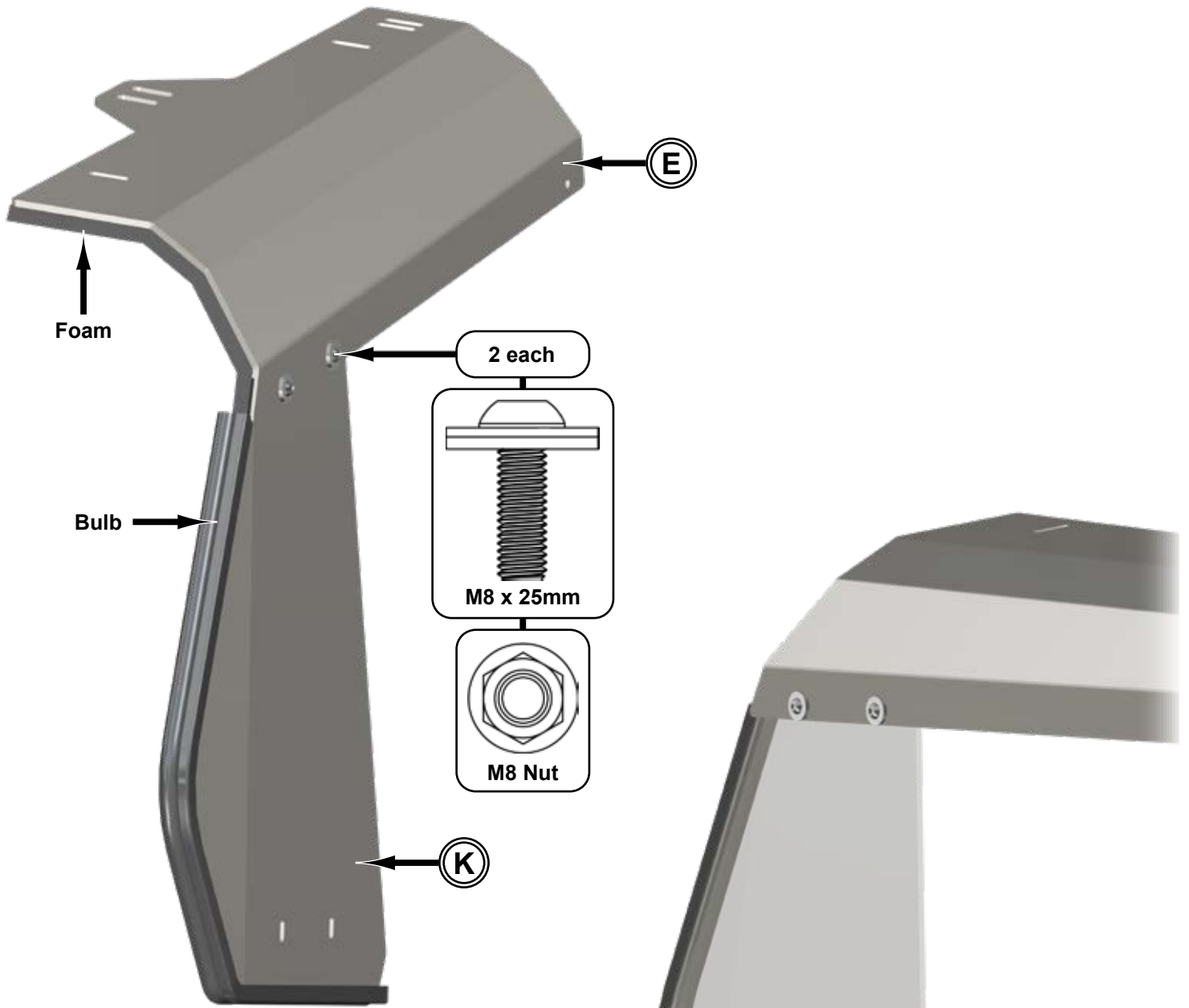
Remove Roof.

Skip this step if SuperATV Roof was previously installed.

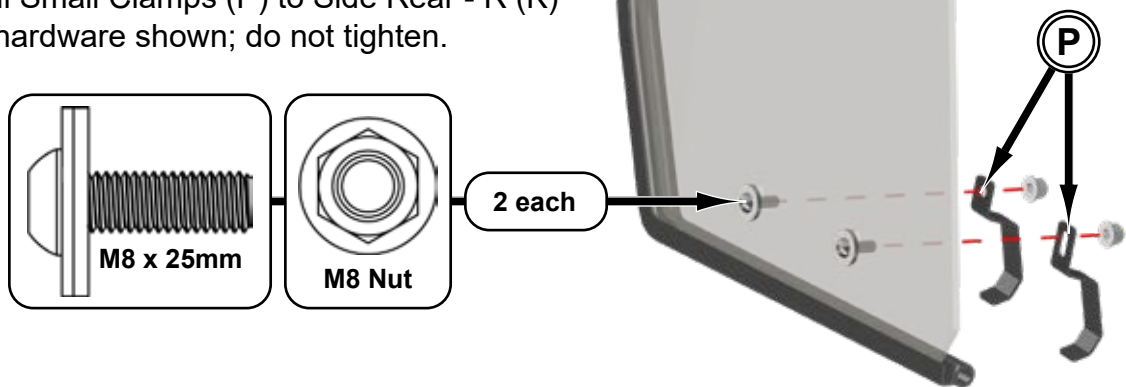
- Install Foam to top of Cage in locations shown.



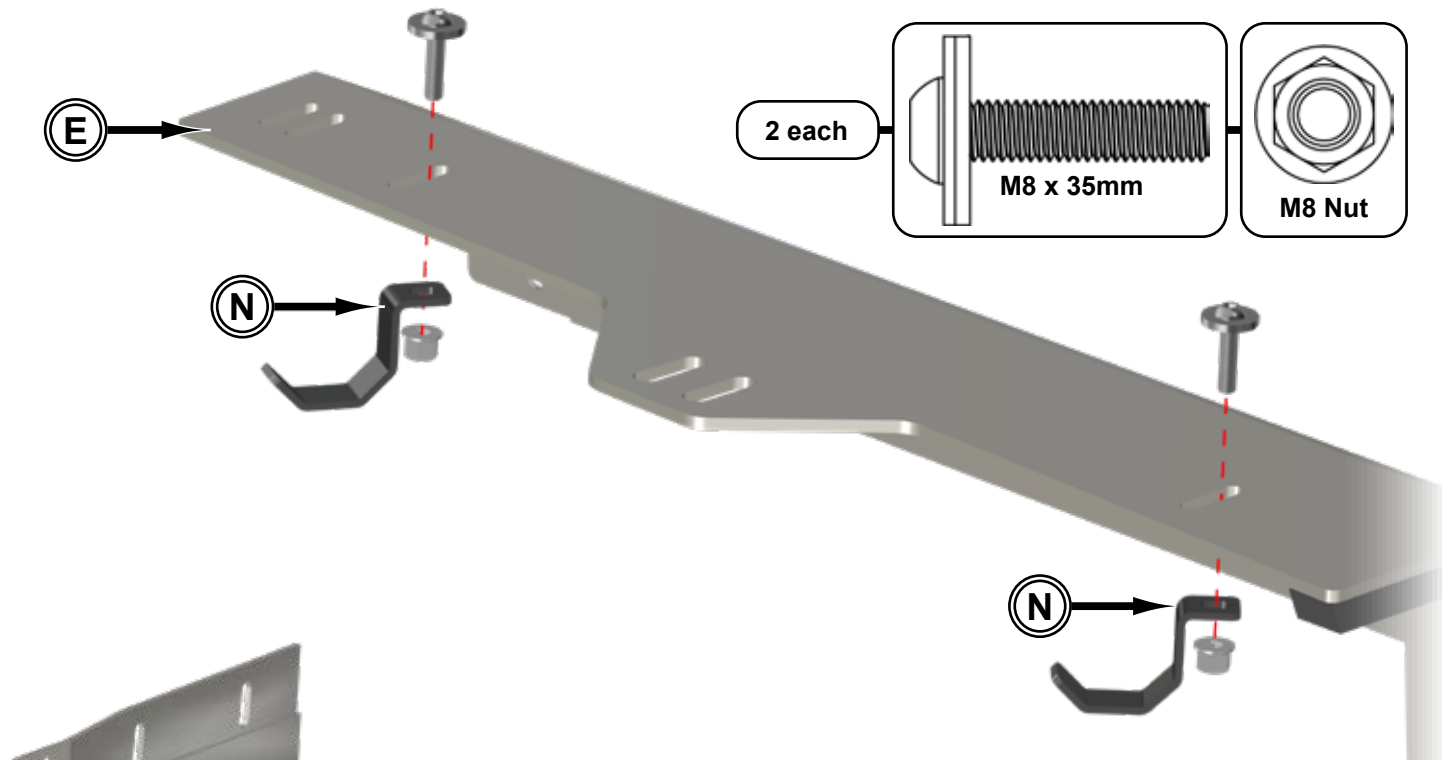
- Install Top Rear - R (E) to Side Rear - R (K) with hardware shown; do not tighten.
- Install Bulb and Foam to locations shown.



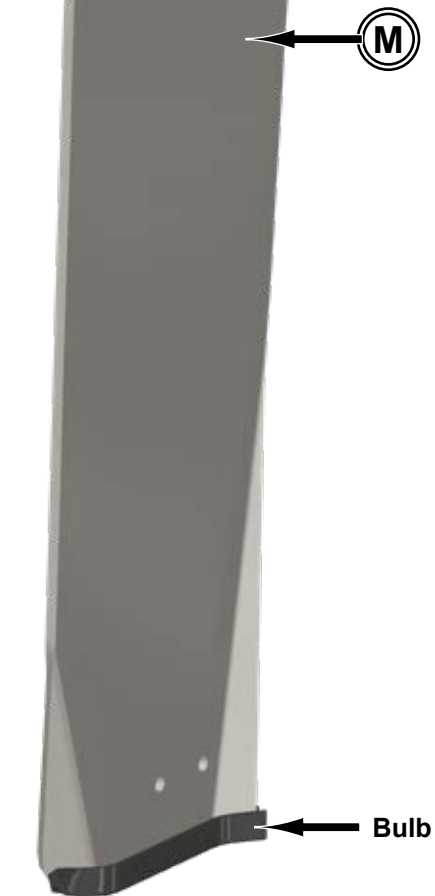
- Install Small Clamps (P) to Side Rear - R (K) with hardware shown; do not tighten.



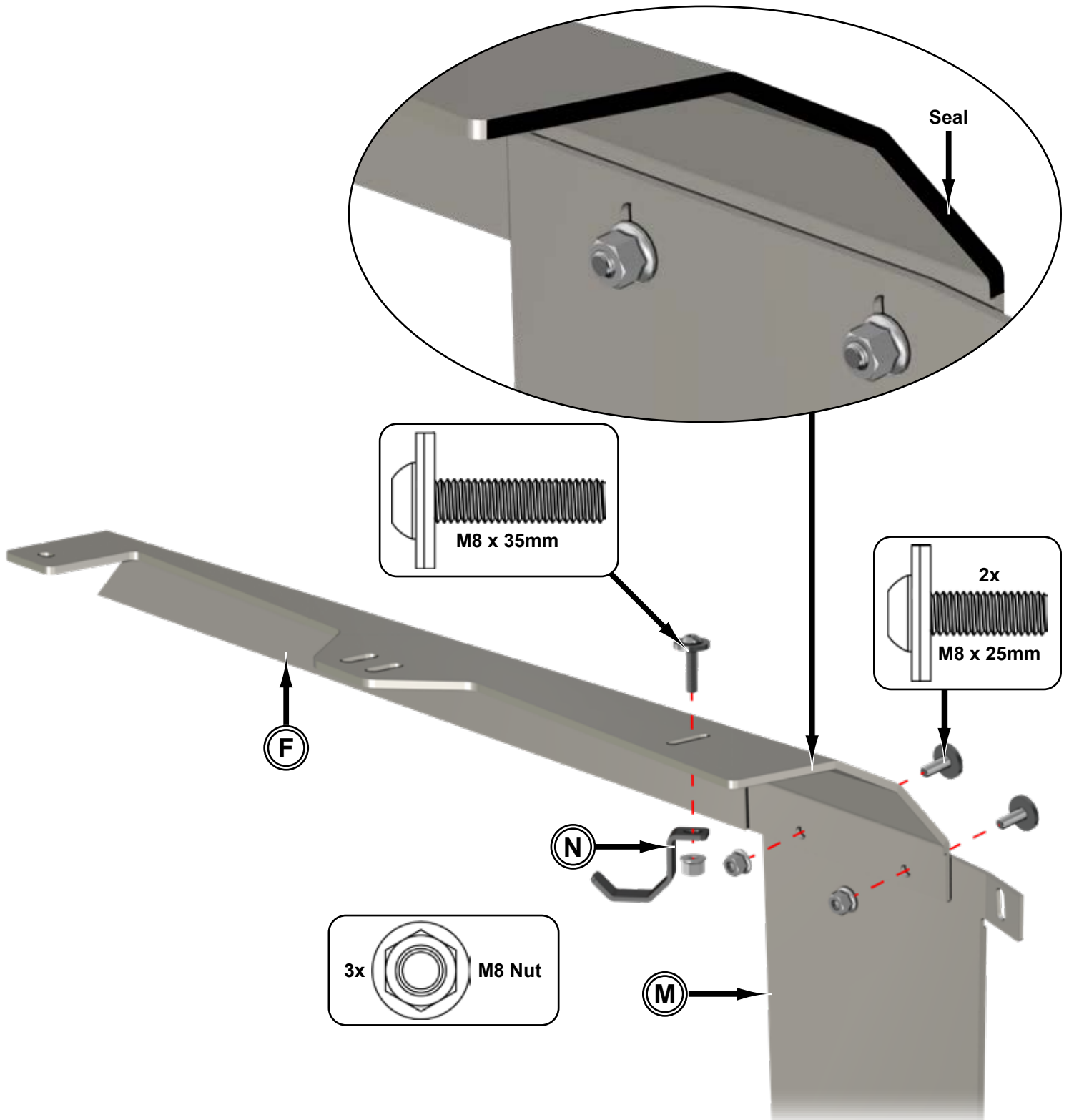
- Install Large Clamps (N) to Top Rear - R (E) with hardware shown; do not tighten.



- Install Bulb to Side Front - R (M) in location shown.



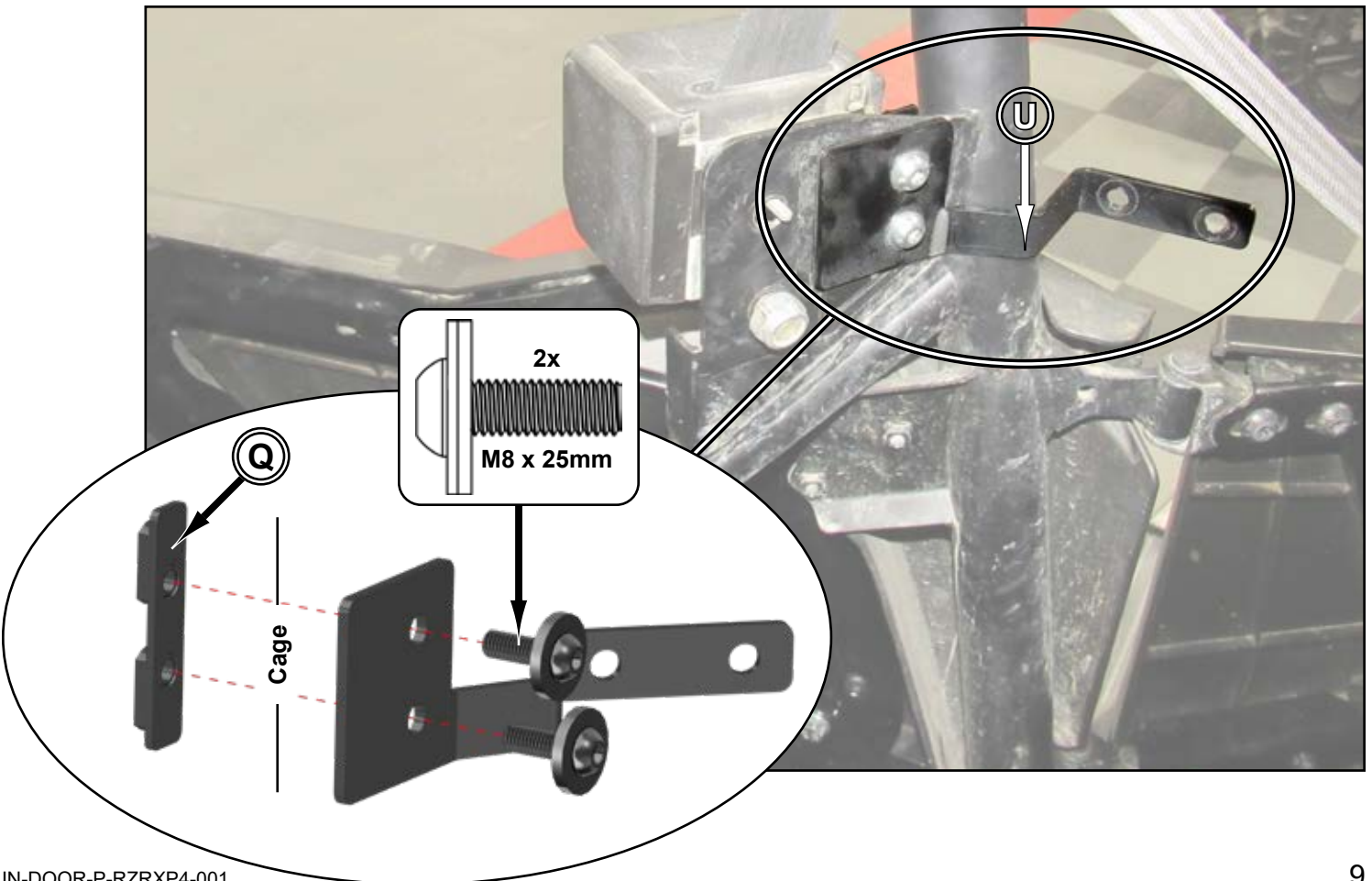
- Install Top Front - R (F) to Side Front - R (M) with hardware shown; do not tighten.
- Install Large Clamp (N) to Top Front - R (F) with hardware shown; do not tighten.
- Install Seal to Top Front - R (F) in location shown.



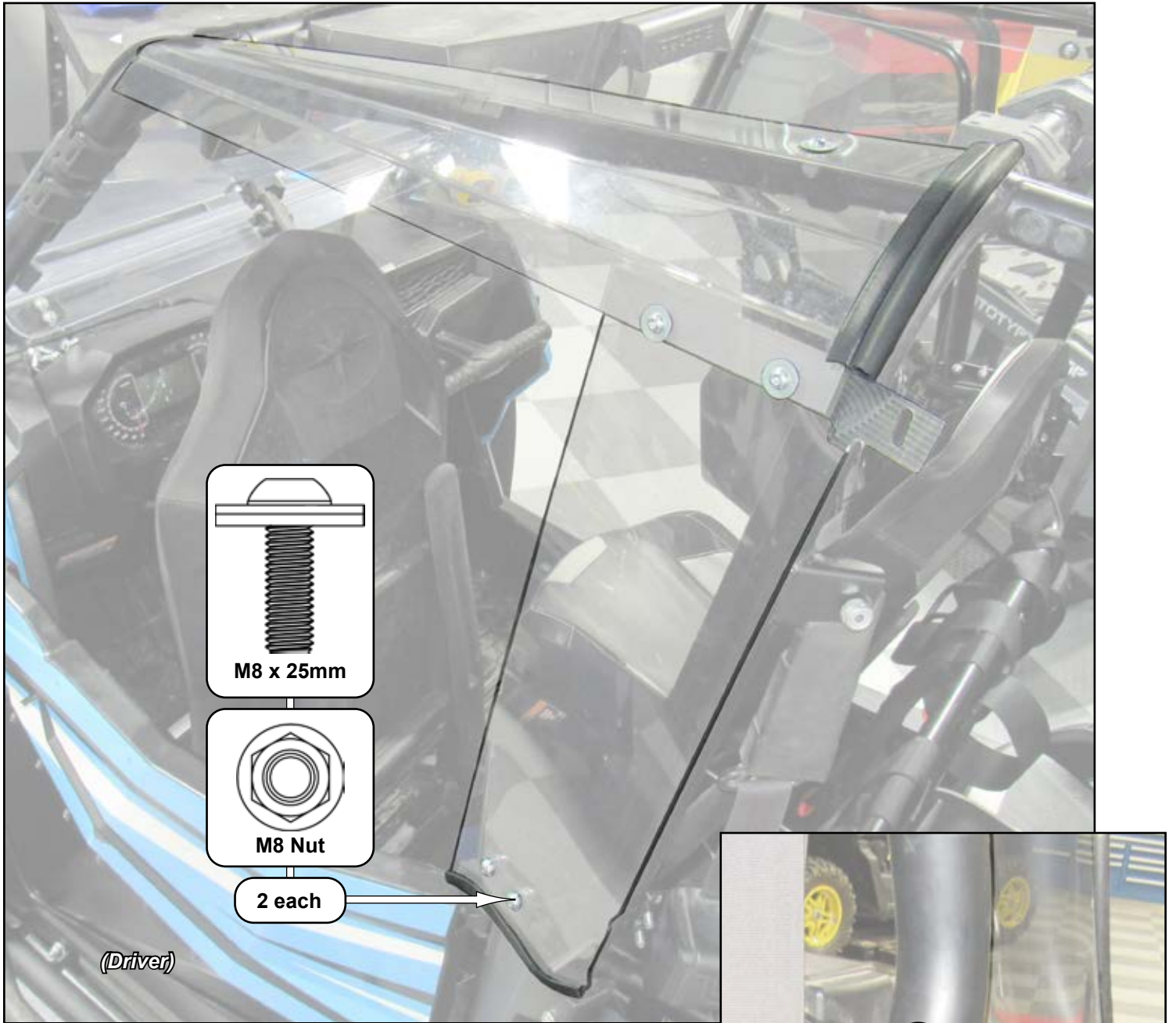
- Repeat steps for left side components.



- Install Side Mount - L (U) with Nut Plate (Q) and hardware shown; tighten.
- Retighten Seat Belt hardware.



- Place front assembly onto Cage.
- Large Clamp (N) will wrap around Cage; do not tighten.
- Secure Side Front - L (L) to Side Mount - L (U) with hardware shown; tighten.



- Place rear assembly onto Cage.
- Large Clamps (N) will wrap around Cage; do not tighten.
- Secure Top Rear - L (G) to Top Front - L (H) with hardware shown; tighten.

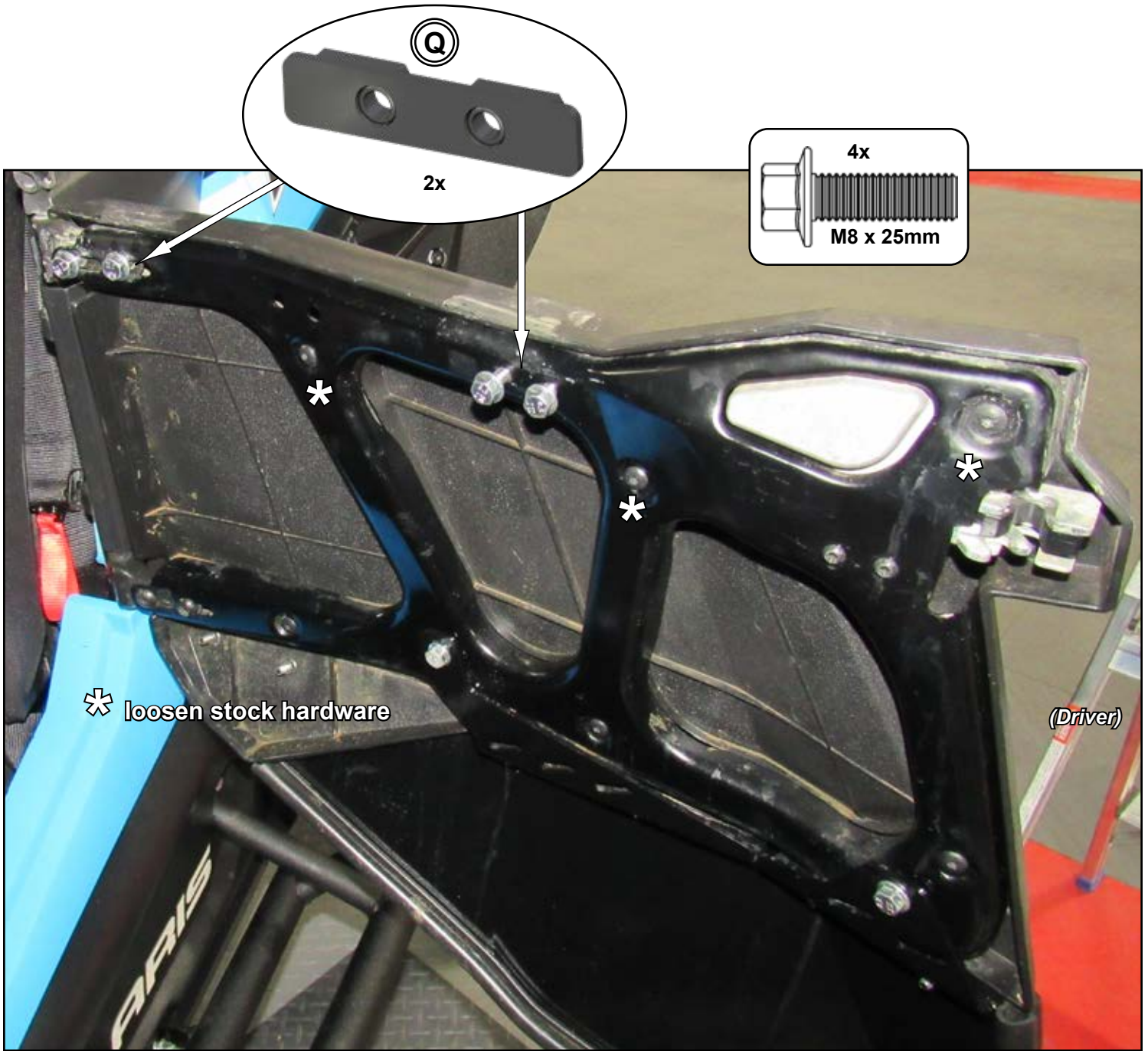


- Small Clamps (P) will wrap around Cage; do not tighten.

- Loosen stock hardware shown.
- Insert Door Bracket Front -L (R) between Frame and Door.
- Secure with hardware shown; do not tighten.
- Repeat for Nut Plate (Q).
- Retighten stock hardware.



- Loosen stock hardware shown.
- Insert Nut Plates (Q) between Frame and Door.
- Secure with hardware shown; do not tighten.
- Retighten stock hardware.



- Place Rear - L (D) onto previously installed M8 bolts.
- Close and latch Door.



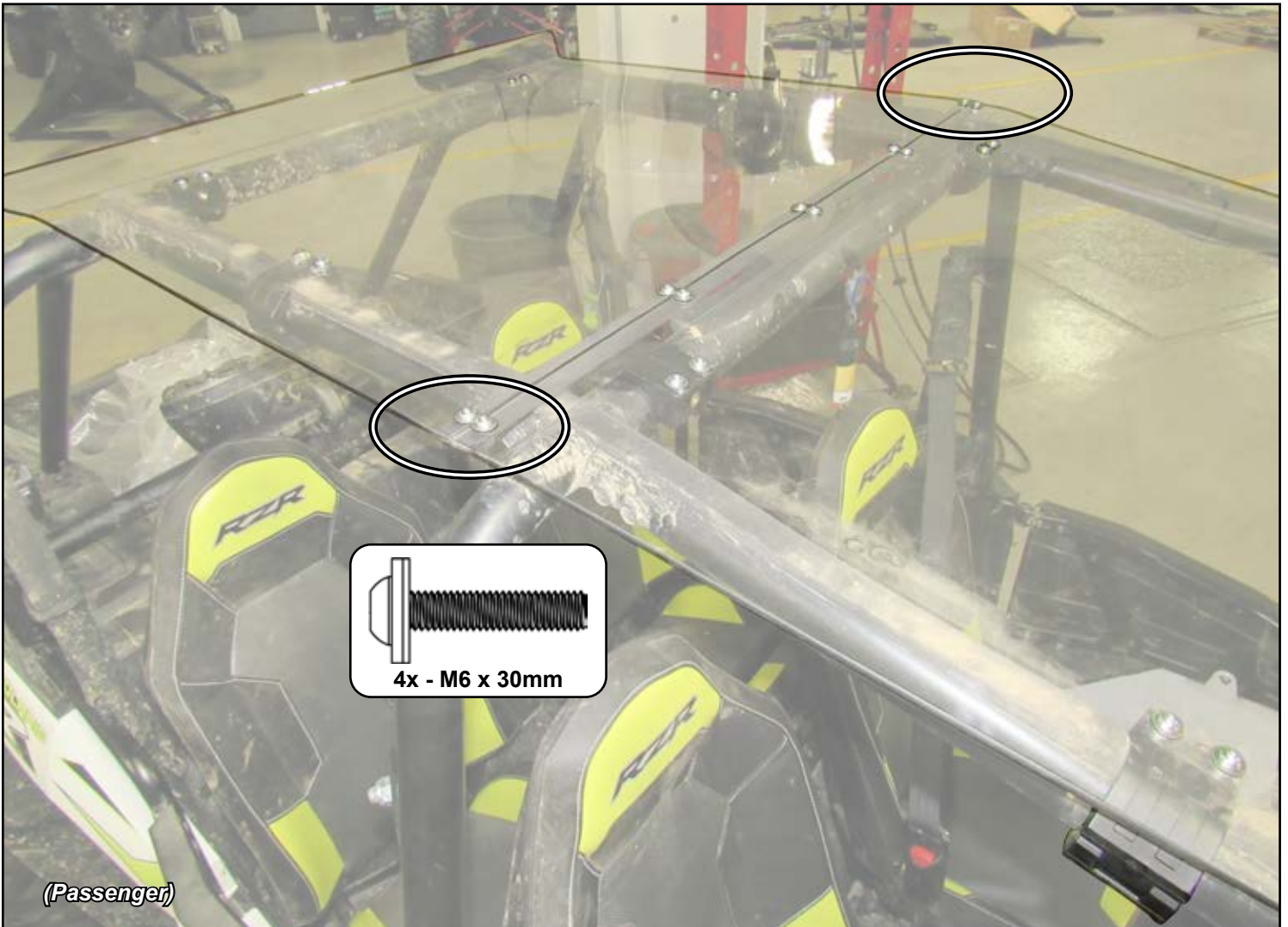
- Place Front - L (C) onto previously installed M8 bolts.
- Close and latch Door.



- Align assembly to machine.
- From opposite side, passenger, tighten all Front and Rear Door hardware.
- Tighten all remaining hardware.
- Repeat steps for passenger side.

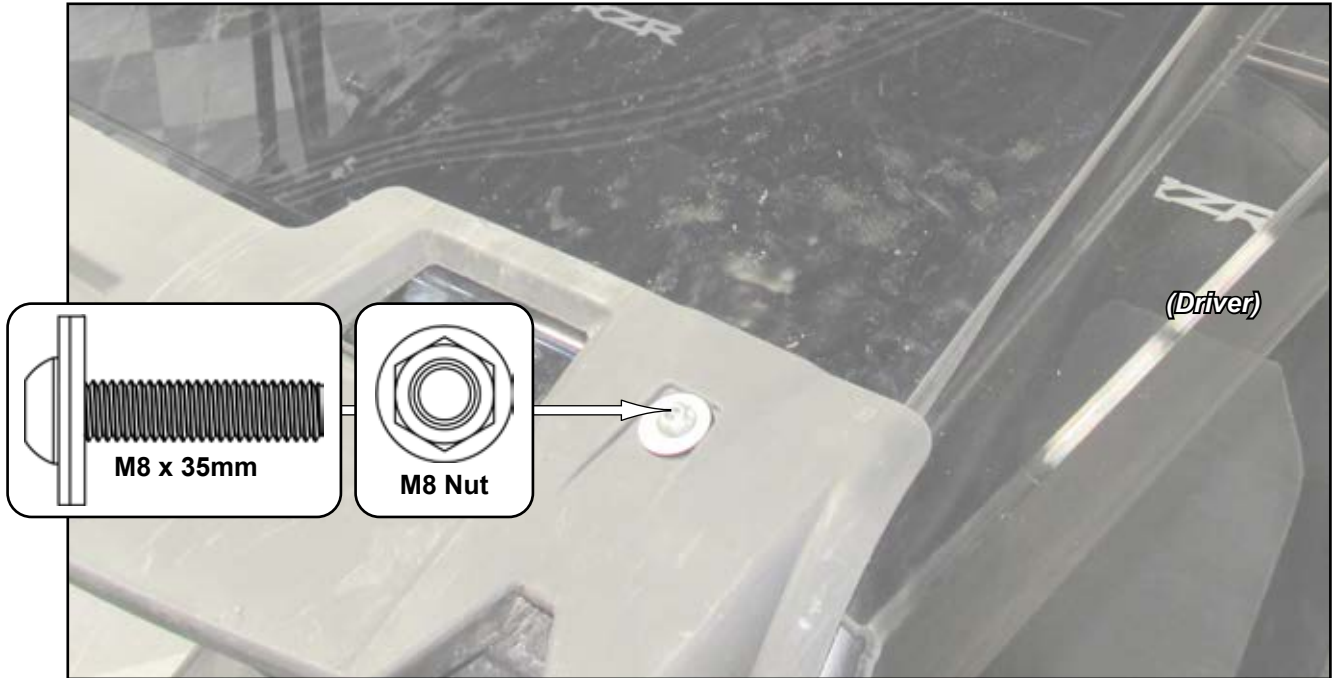
If SuperATV part number ROOF-P-RZR1K4-002 is installed:

- Use previously removed Roof hardware and hardware shown when reinstalling Roof; tighten.



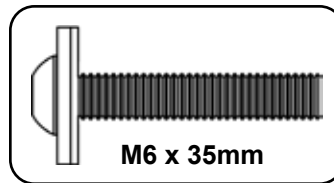
**Machines without stock Clip-Nuts in place:**

- Secure Top Front - L (H) to machine with hardware shown; do not tighten.



**Machines with stock Clip-Nuts in place:**

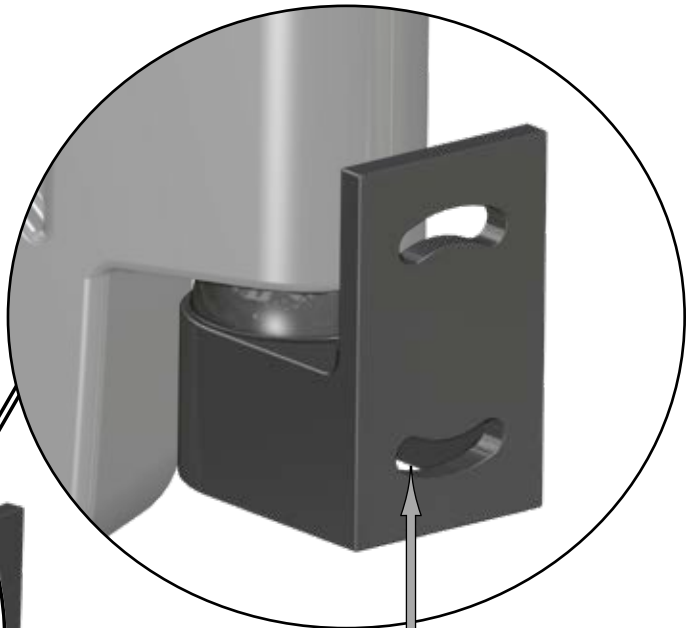
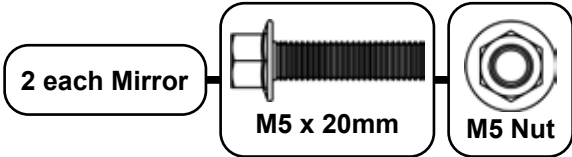
- Secure Top Front - L (H) to machine with hardware shown; do not tighten.



- If alignment is incorrect and adjustments are maxed out, adding provided Washers as needed should help in proper alignment.



- Secure Mirrors to Doors with hardware shown; tighten.



slots shown control front-to-back  
Mirror rotation



Ball

- Mirror is spring loaded and can also be adjusted here.
- Ball will allow adjustment in various directions.



do not loosen