

- Do not discard packaging until product has been successfully installed.
- SuperATV does not recommend keeping Windshield installed while transporting on an open air trailer. Remove or secure with straps.
- This item is not returnable if the protective film has been removed.
- Test fit to the cage to confirm fitment before removing film.



Need help with your installation?



sales@superatv.com



www.superatv.com



1-855-743-3427



8:00am - 8:00pm EST M-Th
8:00am - 7:00pm EST Friday
9:00am - 2:00pm EST Saturday

Read instructions and view illustrations before beginning.

*Thank You
For Choosing*

SUPERATV.COM

(kit contents continued)

Clamp Mount - L

Clamp Mount - R



Catch Mount - L

Catch Mount - R



Clamp B x 2

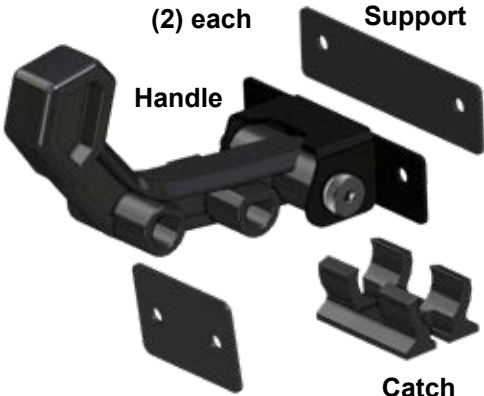


Clamp A x 2
(separate Clamps A)

(2) each

Support

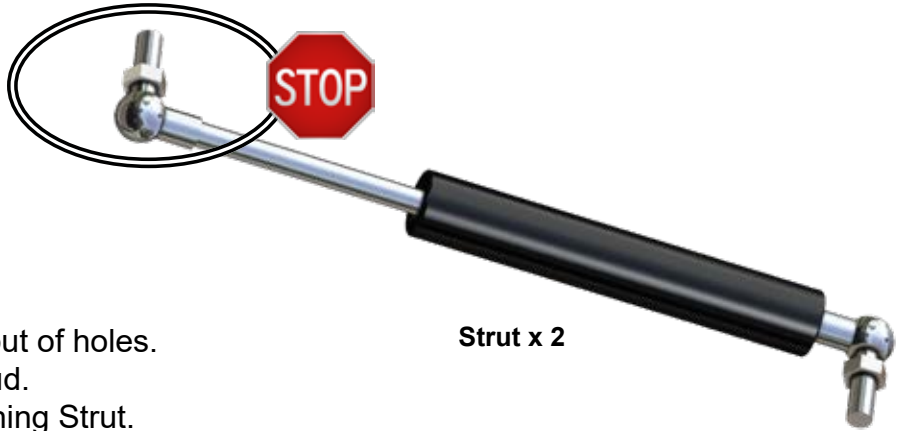
Handle



Catch Support
(not used)

Catch

Stud must be removed; see below.



Strut x 2

- Pull Clip up and out of holes.
- Remove Strut Stud.
- Repeat for remaining Strut.
- Place components aside.

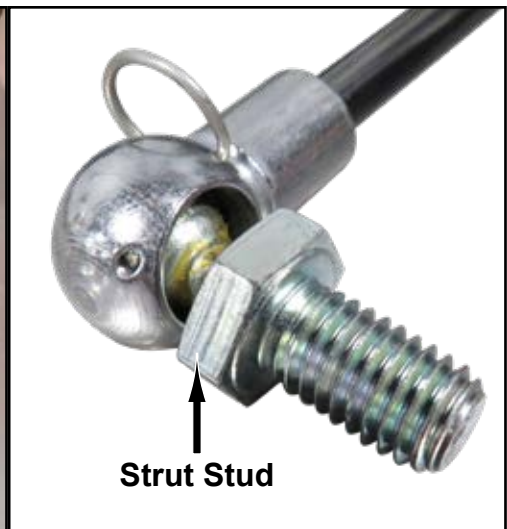
Seal



D-Seal



Clip



Strut Stud

- Remove forward most Roof hardware.
- Raise front of Roof. Add spacers of some sort to keep Roof away from Cage.

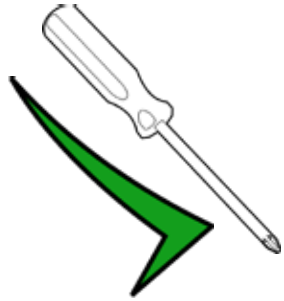


- Place Clamps A onto Cage in general location shown; do not tighten.

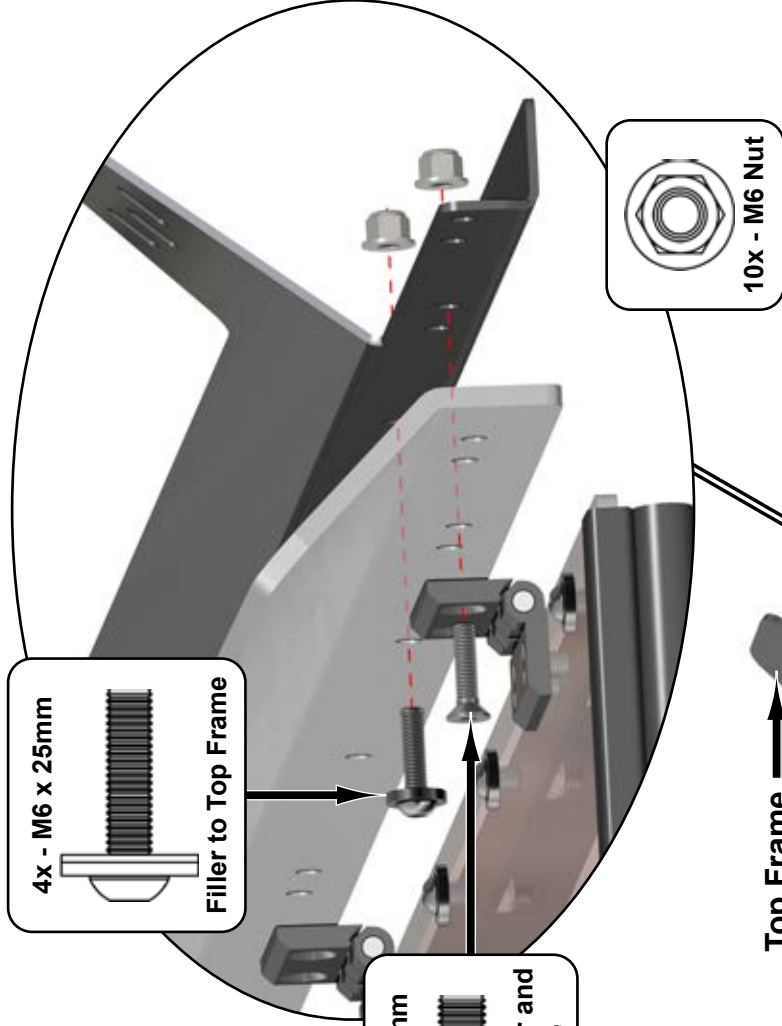


- Install Filler and Top Frame to Windshield with hardware shown; tighten.

Use hand tools only when assembling.

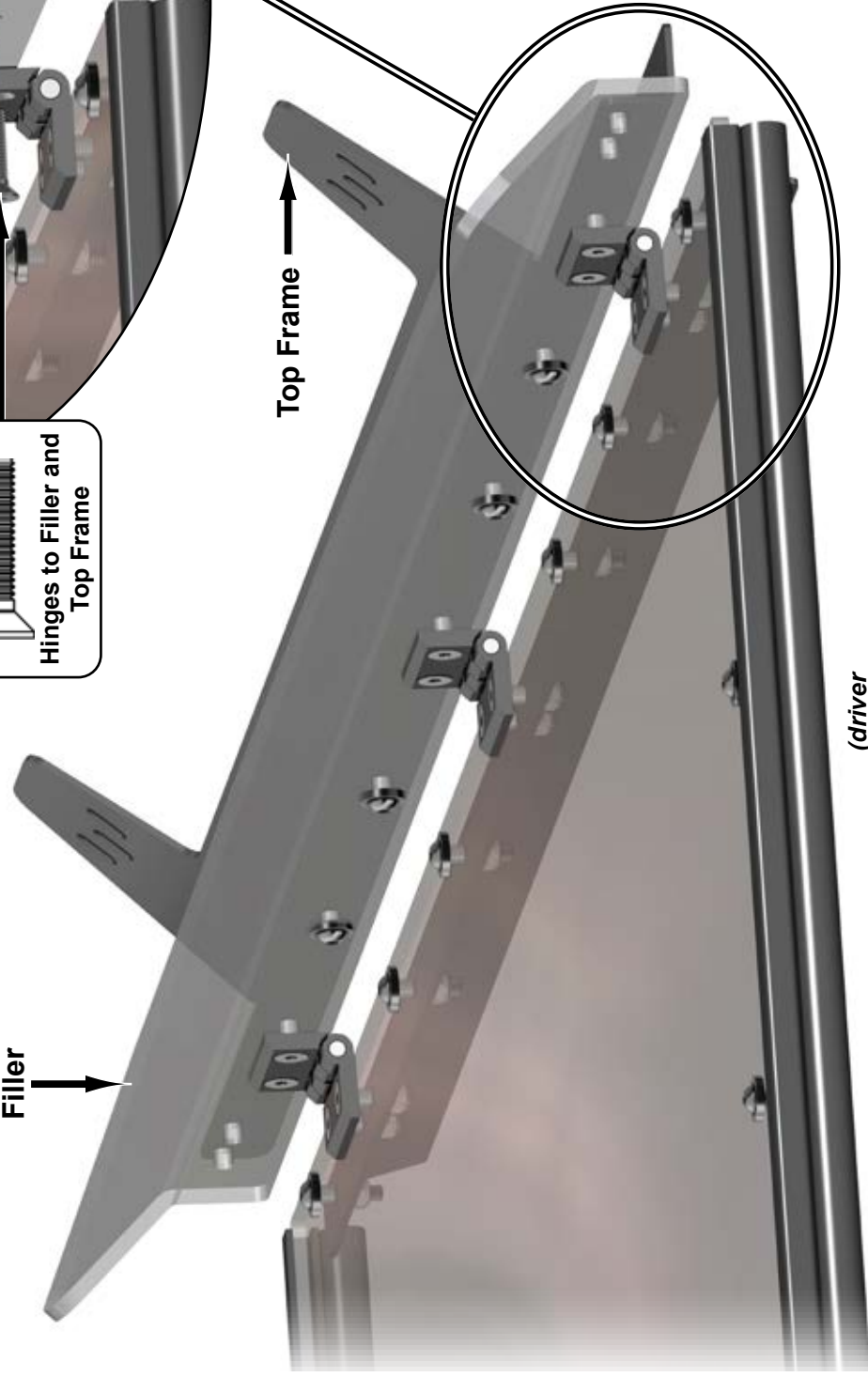


Do not use power tools.



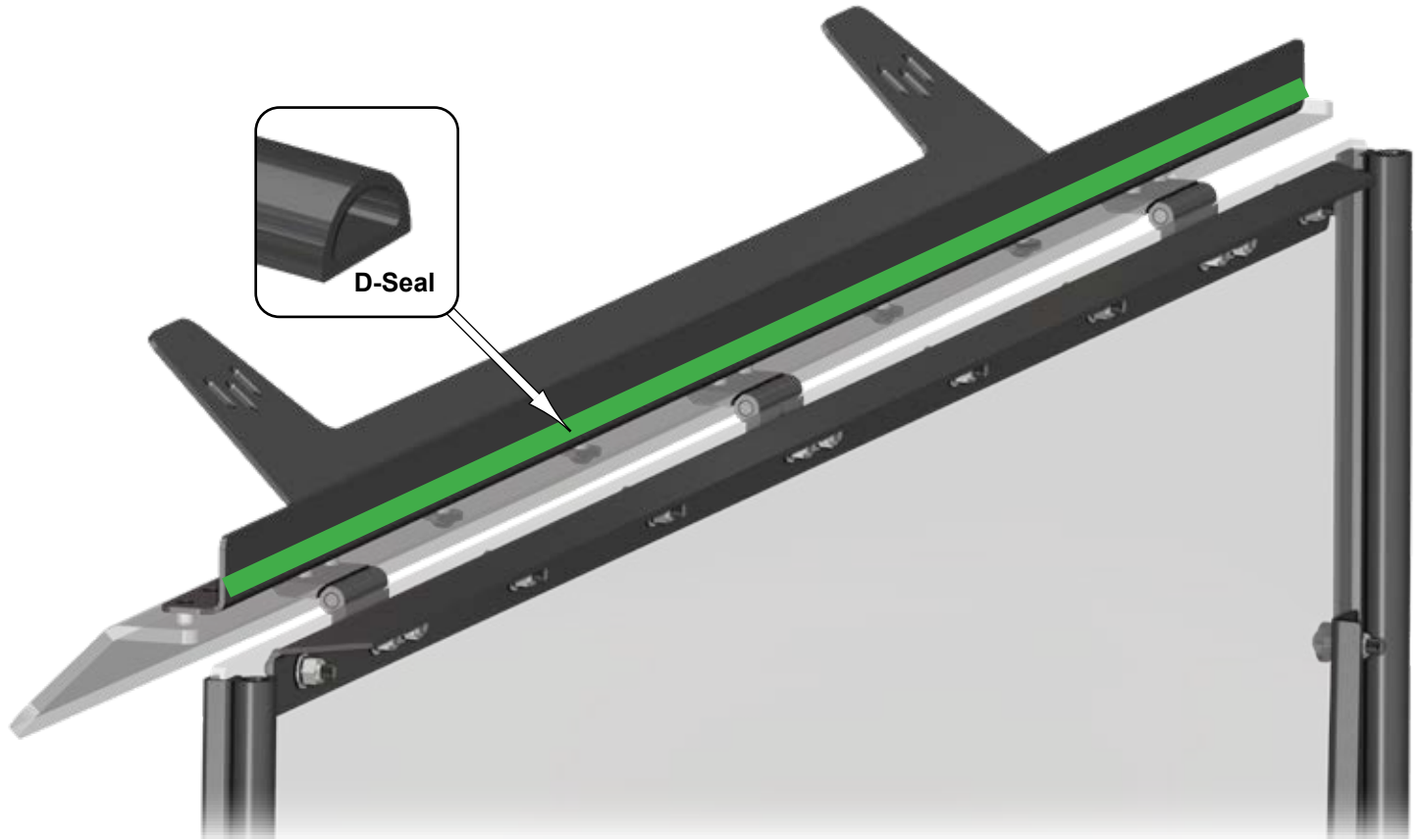
Filler

Top Frame



(driver)

- Install D-Seal to Top Frame in location shown.

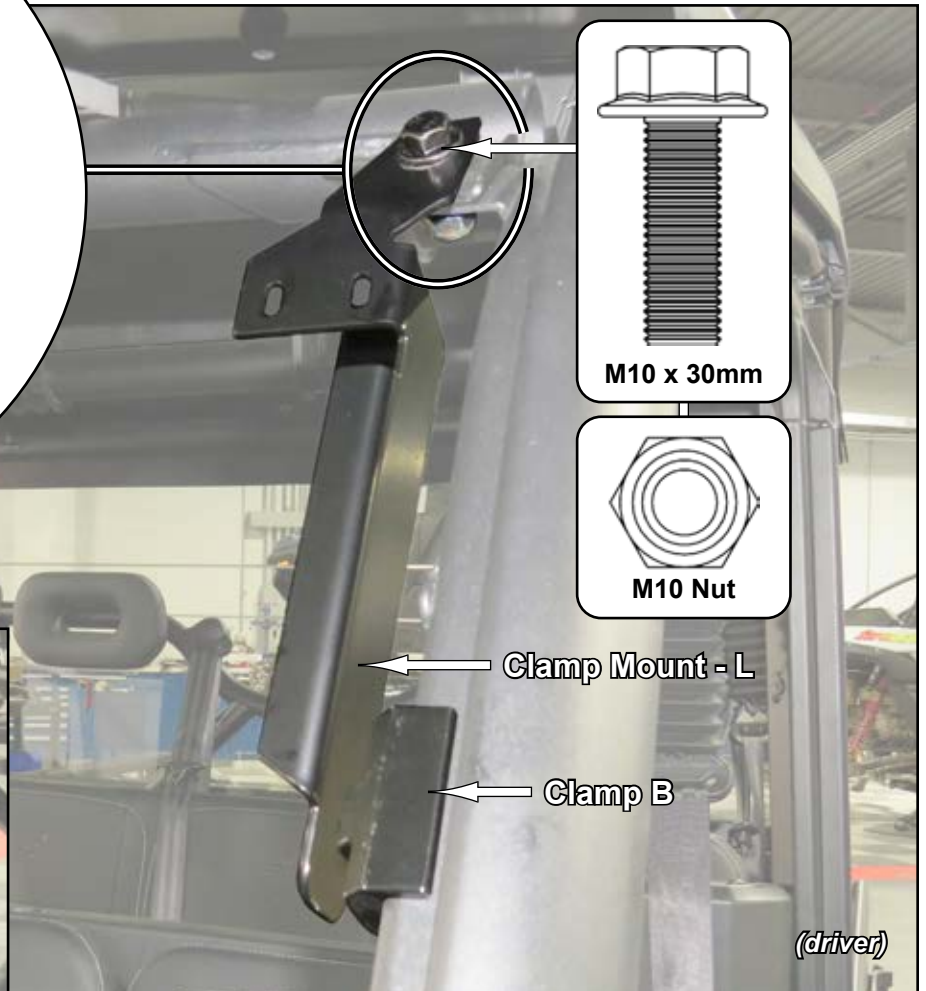
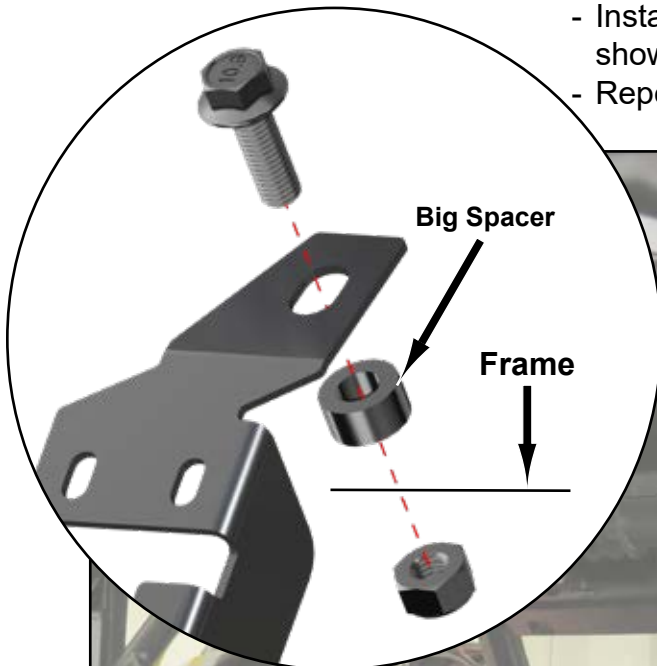


- Install Seal across top of Filler as shown.

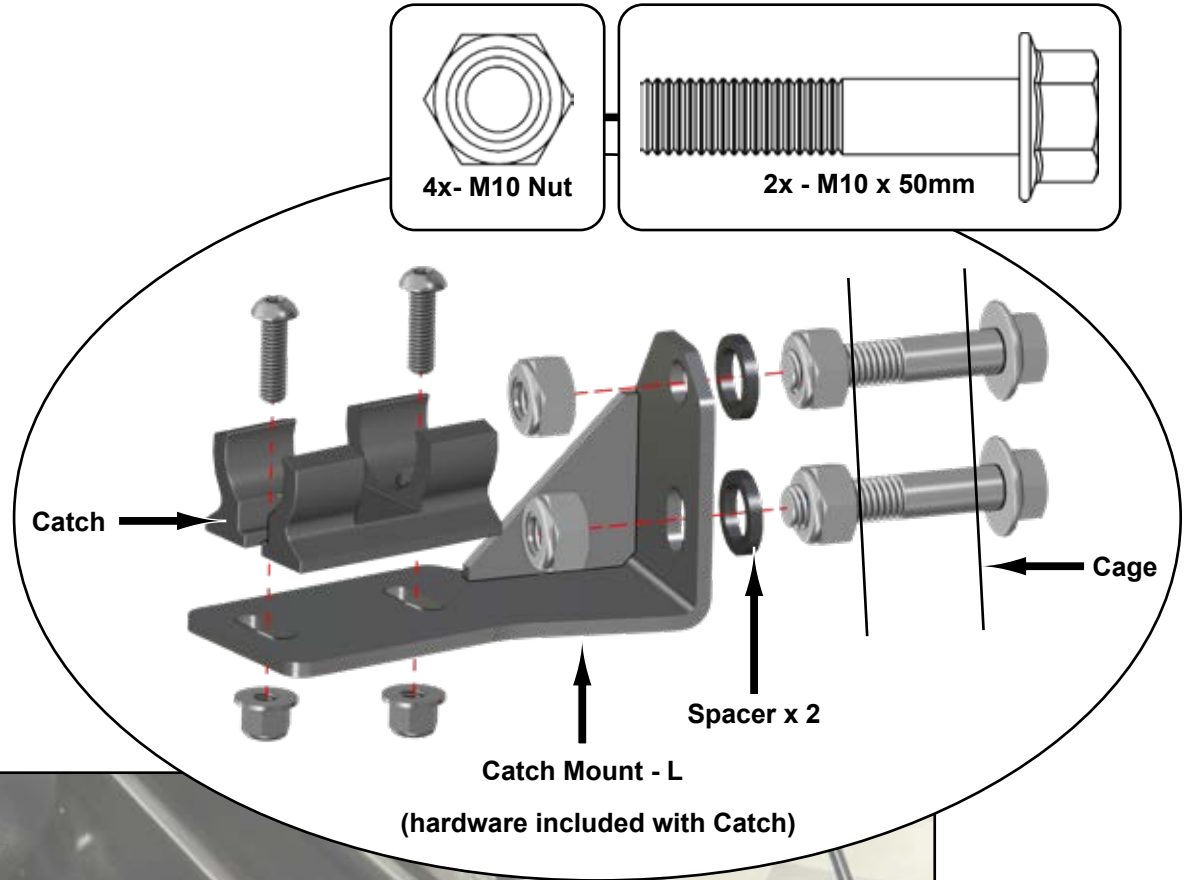




- Install Clamp B and Clamp Mount - L to Frame with hardware shown; do not tighten.
- Repeat steps for Clamp Mount - R installation.



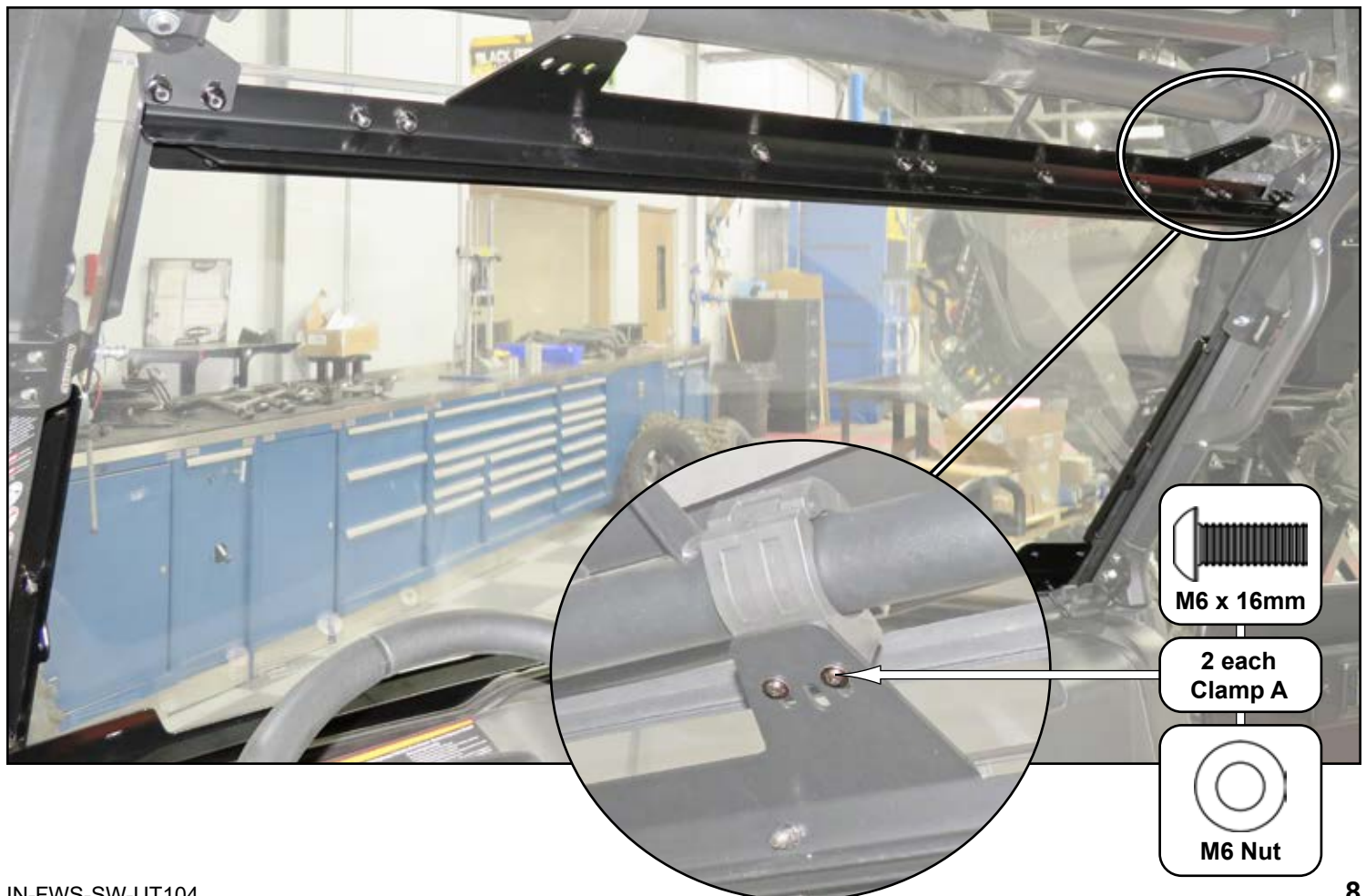
- Remove stock Cage hardware and install Catch Mount - L with hardware shown; tighten.
- Install Catch to Catch Mount - L with hardware shown; do not tighten.
- Repeat for Catch Mount - R.



- Place assembly onto machine and secure Filler to Clamp Mounts with hardware shown; do not tighten.
Use hand tools only. Do not use power tools.

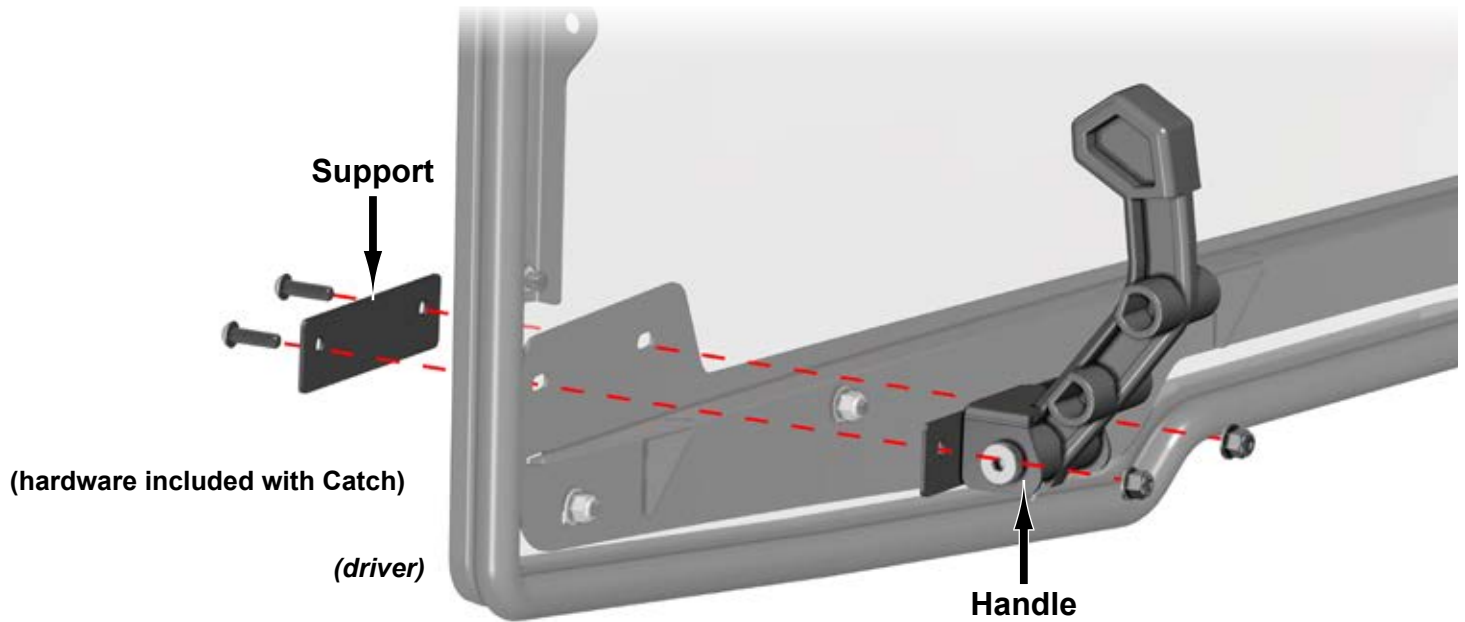


- Secure Top Frame to Clamps A with hardware shown; do not tighten.



- Install Handles and Supports to Windshield with hardware shown; do not tighten.

Use hand tools only. Do not use power tools.



- Engage Latches, align Windshield to machine, and tighten all hardware.

- Open Windshield and secure Strut to Windshield with hardware shown; tighten.
- Repeat for driver side.



Windshield Cleaning:

- Do not use Rain-X®, Plexus® or any other protector, wax, or polish.
 - Do not use window cleaning fluids (Windex, 409, etc) or any solvents (gasoline, denatured alcohol, acetone, etc).
 - Never use abrasive cleaners, abrasive pads, or gritty cloths.
 - Do not use a windshield wiper blade or install a motorized windshield wiper
 - Never use razor blades, scrapers, squeegees, brushes, etc.
1. Thoroughly rinse Windshield to float off dirt and mud.
 2. Using a soft cloth, or microfiber cloth, clean Windshield with warm water and a gentle detergent. Baby shampoo, rubbing alcohol, or hand washing soap can also be used.
 3. To prevent water spots, use a chamois to blot Windshield dry.

Liability Statement

SuperATV's® products are designed to best fit user's ATV/UTV under stock conditions. Adding, modifying, or fabricating any factory or aftermarket parts will void any warranty provided by SuperATV® and is not recommended. SuperATV's® products could interfere with other aftermarket accessories. If user has aftermarket products on machine, contact SuperATV® to verify that they will work together.

Although SuperATV® has thousands of satisfied customers, user should be aware that installing lift kits, long travel, or suspension kits, tires, etc. will change the ride of machine and may increase maintenance and part wear. Operating any off-road machine while, or after, consuming alcohol and/or drugs increases risk of bodily harm or death. No warranty or representation is made as to this product's ability to protect user from severe injury or death. SuperATV® urges operators and occupants to wear a helmet and appropriate riding gear at all times.

By purchasing and installing SuperATV® products, user agrees that should damages occur, SuperATV® will not be held responsible for loss of time, use, labor fees, replacement parts, or freight charges. SuperATV®, nor any 3rd party, will not be held responsible for any direct, indirect, incidental, special, or consequential damages that result from any product purchased from SuperATV®. The total liability of seller to user for all damages, losses, and causes of action, if any, shall not exceed the total purchase price paid for the product that gave rise to the claim.

SuperATV® will warranty only parts provided by SuperATV®. Any damage or problems with OEM housings, bearings, seals, or other manufacturers' products will not be covered by SuperATV®. SuperATV® parts and products are not warranted if item was not installed properly, misused, or modified.

Installing, adding, modifying, or fabricating any factory or aftermarket product to your ATV/UTV may violate certain local, state, and federal laws. Be advised that laws vary depending on town, city, county, state, etc. Use of certain products on public streets, roads, or highways may be in violation law. The Buyer is solely and exclusively legally and personally responsible for any violation of the law by the installation or use of the product. You must abide by all local, state, and federal laws, including but not limited to vehicle safety, traffic laws, and ordinances. It is your responsibility to know the laws and how they apply to you.

The Buyer is responsible to fully understand the capability and limitations of his/her vehicle according to manufacturer specifications, warnings and instructions and agrees to hold SuperATV® harmless from any damage resulting from failure to adhere to such specifications, warnings and/ or instructions. The Buyer is also responsible to obey all applicable federal, state, and local laws and ordinances when operating his/her vehicle while using this product, and the Buyer agrees to hold SuperATV® harmless from any violation thereof.