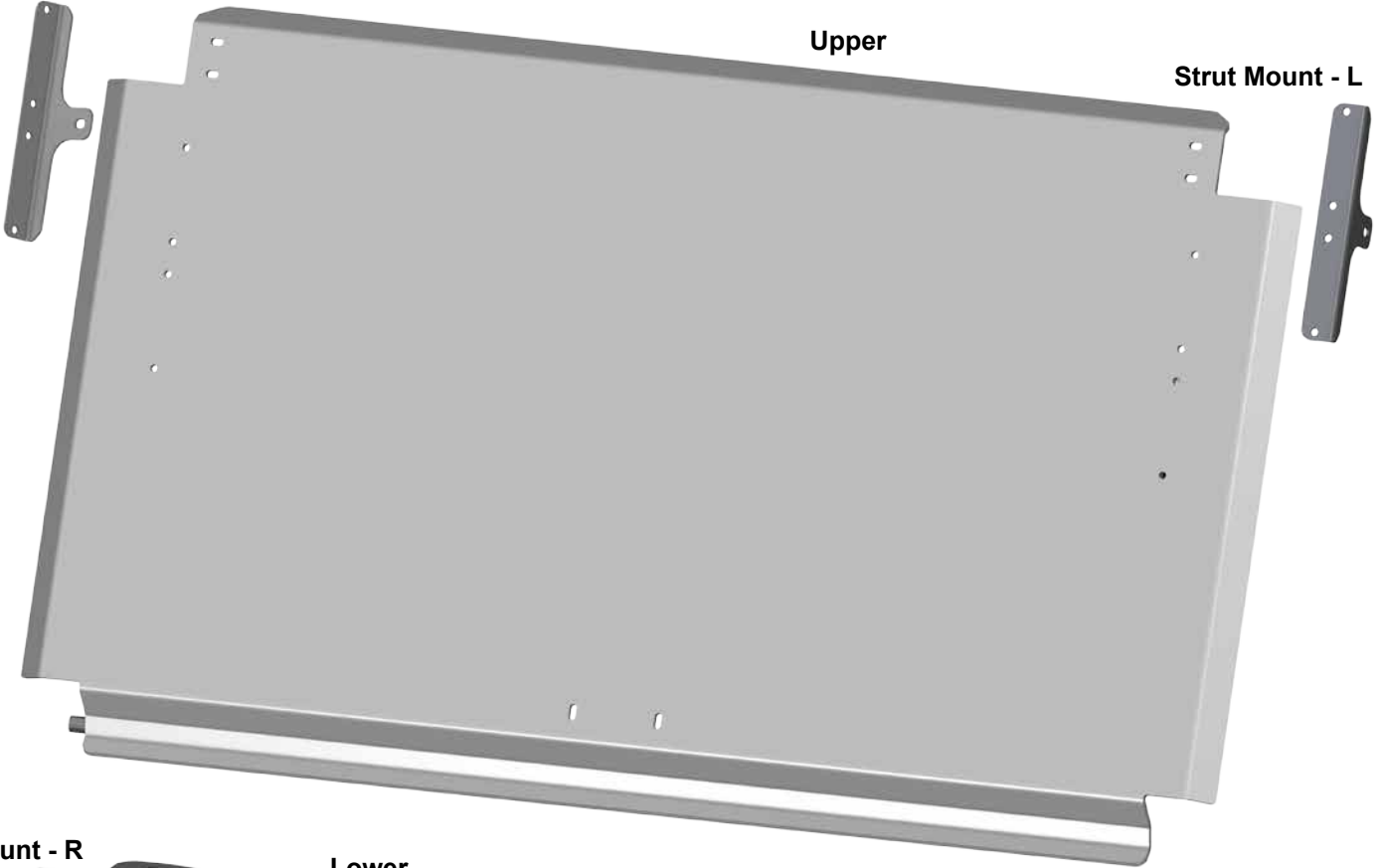
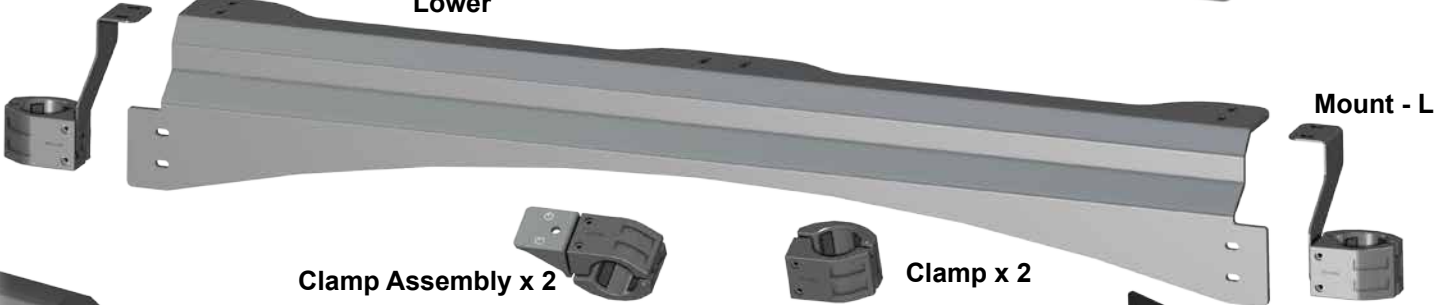


Strut Mount - R



Mount - R

Lower



Clamp Assembly x 2

Clamp x 2

D-Seal

Seal

Strut x 2

Handle

Catch Support

Support

Catch

Need help with your installation?

Read instructions and view illustrations before beginning.



sales@superatv.com



www.superatv.com



1-855-743-3427



8:00am - 8:00pm EST M-Th
 8:00am - 7:00pm EST Friday
 9:00am - 2:00pm EST Saturday

Thank You

For Choosing



- SuperATV does not recommend keeping Windshield installed while transporting on an open air trailer. Remove or secure with straps.
- This item is not returnable if the protective film has been removed.
- Test fit to the cage to confirm fitment before removing film.
- Do not discard packaging until product has been successfully installed.

Windshield Cleaning:

- Do not use Rain-X®, Plexus® or any other protector, wax, or polish.
 - Do not use window cleaning fluids (Windex, 409, etc) or any solvents (gasoline, denatured alcohol, acetone, etc).
 - Never use abrasive cleaners, abrasive pads, or gritty cloths.
 - Do not use a windshield wiper blade or install a motorized windshield wiper
 - Never use razor blades, scrapers, squeegees, brushes, etc.
1. Thoroughly rinse Windshield to float off dirt and mud.
 2. Using a soft cloth, or microfiber cloth, clean Windshield with warm water and a gentle detergent. Baby shampoo, rubbing alcohol, or hand washing soap can also be used.
 3. To prevent water spots, use a chamois to blot Windshield dry.

Liability Statement

SuperATV's® products are designed to best fit user's ATV/UTV under stock conditions. Adding, modifying, or fabricating any factory or aftermarket parts will void any warranty provided by SuperATV® and is not recommended. SuperATV's® products could interfere with other aftermarket accessories. If user has aftermarket products on machine, contact SuperATV® to verify that they will work together.

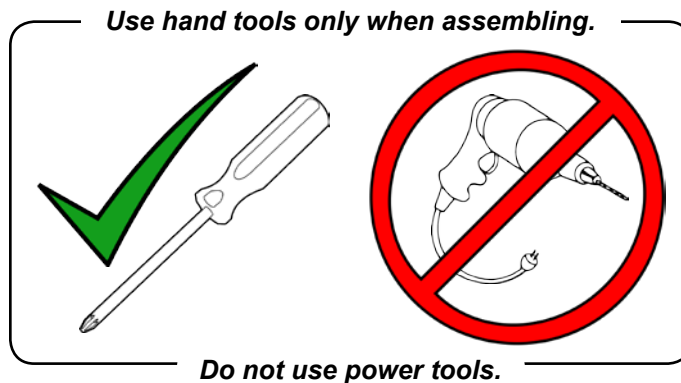
Although SuperATV® has thousands of satisfied customers, user should be aware that installing lift kits, long travel, or suspension kits, tires, etc. will change the ride of machine and may increase maintenance and part wear. Operating any off-road machine while, or after, consuming alcohol and/or drugs increases risk of bodily harm or death. No warranty or representation is made as to this product's ability to protect user from severe injury or death. SuperATV® urges operators and occupants to wear a helmet and appropriate riding gear at all times.

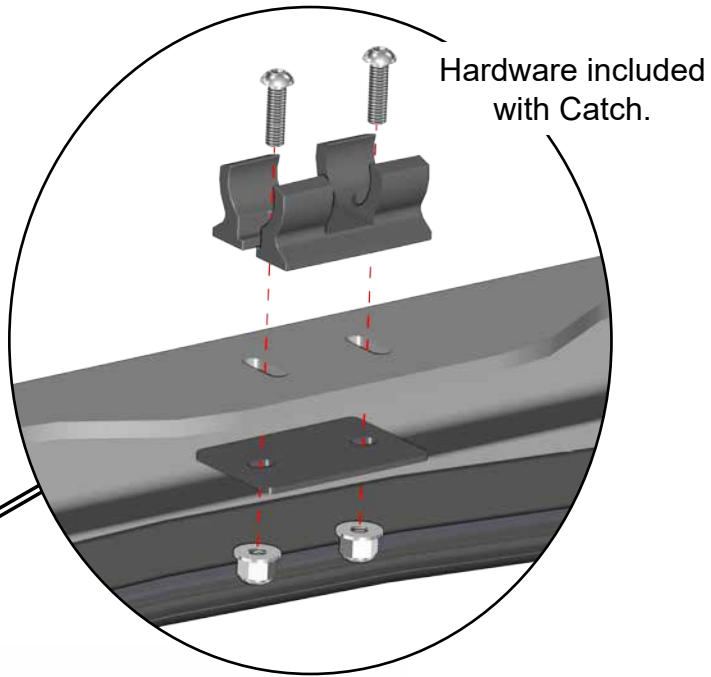
By purchasing and installing SuperATV® products, user agrees that should damages occur, SuperATV® will not be held responsible for loss of time, use, labor fees, replacement parts, or freight charges. SuperATV®, nor any 3rd party, will not be held responsible for any direct, indirect, incidental, special, or consequential damages that result from any product purchased from SuperATV®. The total liability of seller to user for all damages, losses, and causes of action, if any, shall not exceed the total purchase price paid for the product that gave rise to the claim.

SuperATV® will warranty only parts provided by SuperATV®. Any damage or problems with OEM housings, bearings, seals, or other manufacturers' products will not be covered by SuperATV®. SuperATV® parts and products are not warrantied if item was not installed properly, misused, or modified.

Installing, adding, modifying, or fabricating any factory or aftermarket product to your ATV/UTV may violate certain local, state, and federal laws. Be advised that laws vary depending on town, city, county, state, etc. Use of certain products on public streets, roads, or highways may be in violation law. The Buyer is solely and exclusively legally and personally responsible for any violation of the law by the installation or use of the product. You must abide by all local, state, and federal laws, including but not limited to vehicle safety, traffic laws, and ordinances. It is your responsibility to know the laws and how they apply to you.

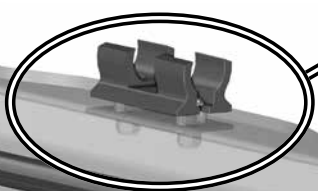
The Buyer is responsible to fully understand the capability and limitations of his/her vehicle according to manufacturer specifications, warnings and instructions and agrees to hold SuperATV® harmless from any damage resulting from failure to adhere to such specifications, warnings and/ or instructions. The Buyer is also responsible to obey all applicable federal, state, and local laws and ordinances when operating his/her vehicle while using this product, and the Buyer agrees to hold SuperATV® harmless from any violation thereof.



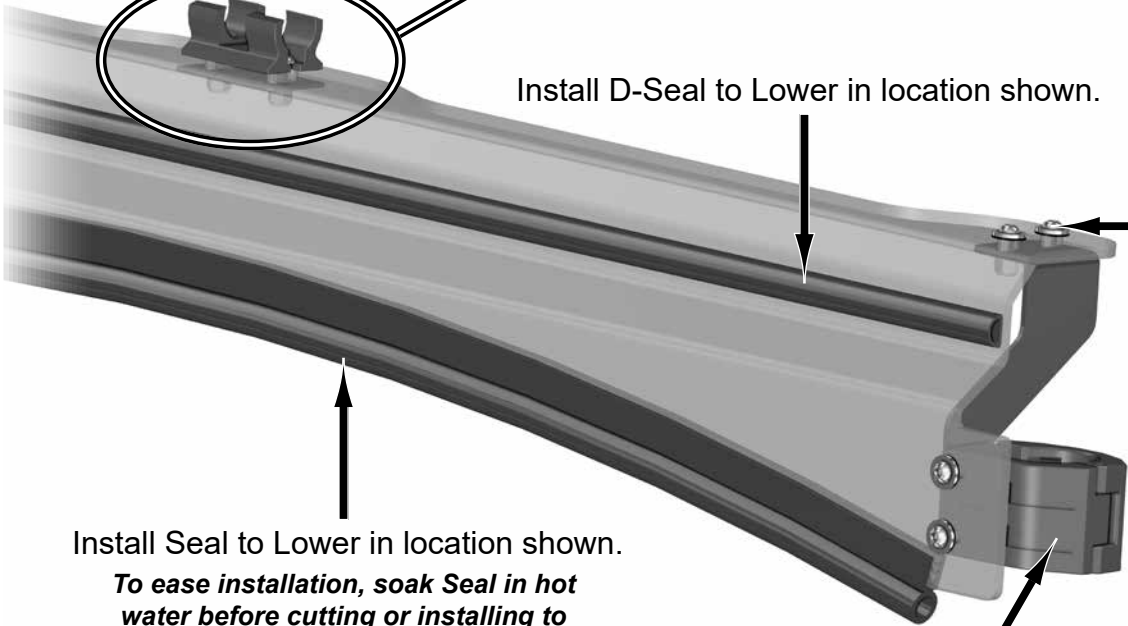


Hardware included with Catch.

Install Catch and Catch Support to Lower; do not tighten.


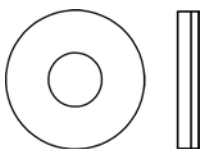



Install D-Seal to Lower in location shown.



Install Seal to Lower in location shown.
To ease installation, soak Seal in hot water before cutting or installing to increase flexibility.

Install Mount - L to Lower with hardware shown; tighten.
 Remove screws, do not discard, from Clamp and place Clamp in open position.
 Repeat for Mount - R.

- 4 each
-  M6 x 20mm
-  Sealing Washer
-  M6 Nut

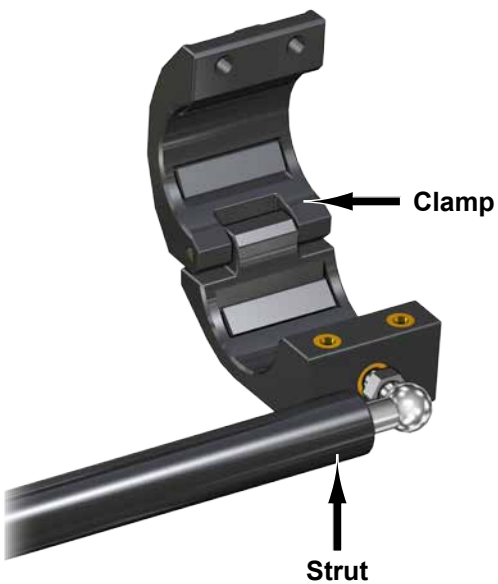


Rubber must face Windshield when installing Sealing Washers

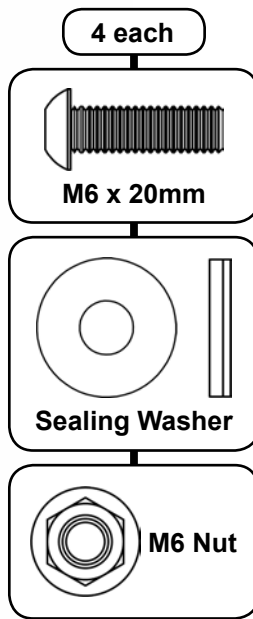
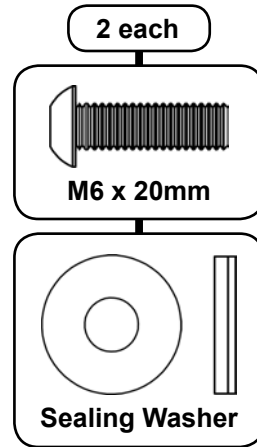
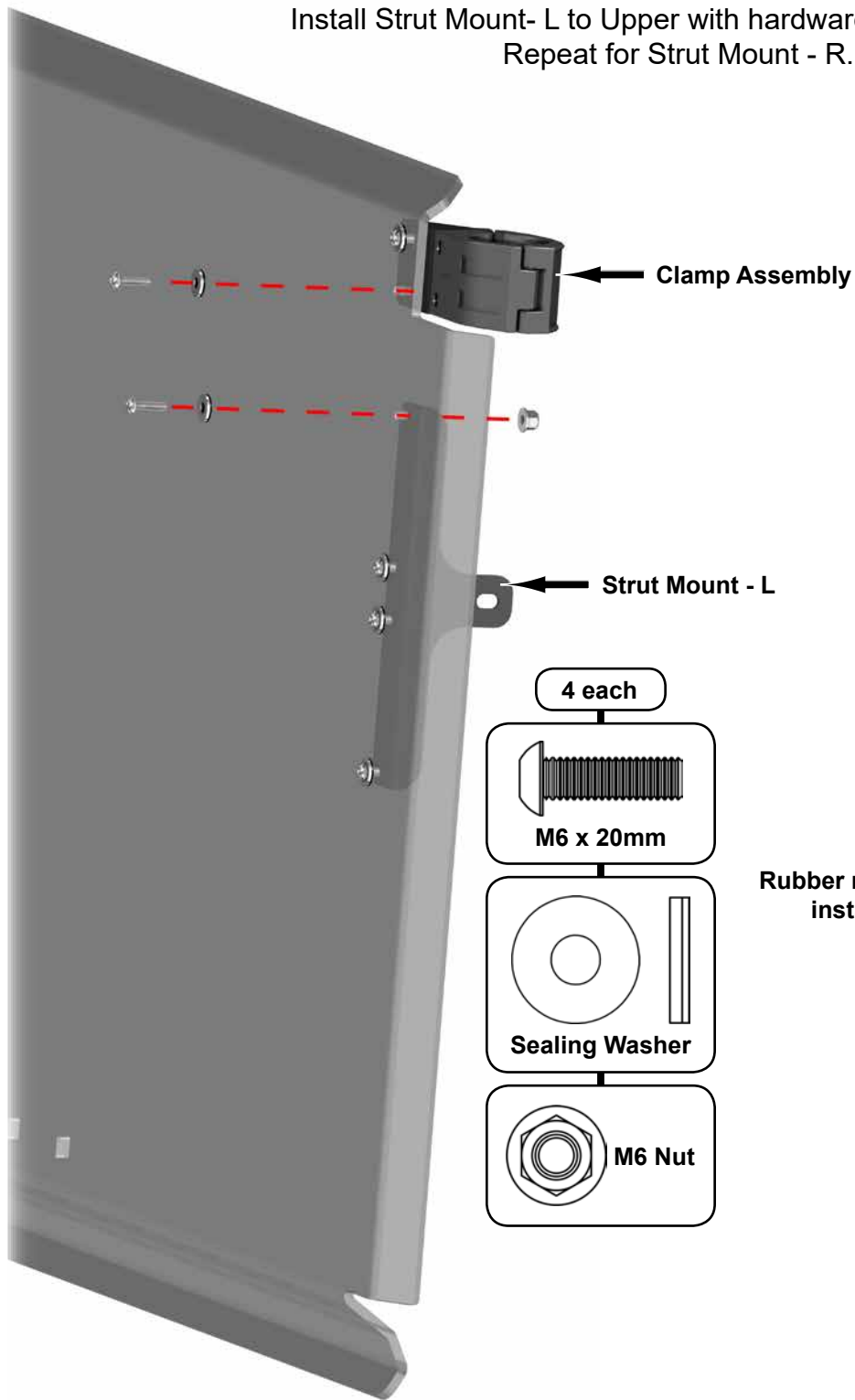
Install Lower to machine and secure with Clamps and previously removed Clamp screws.
Hardware should be snug but not tight.



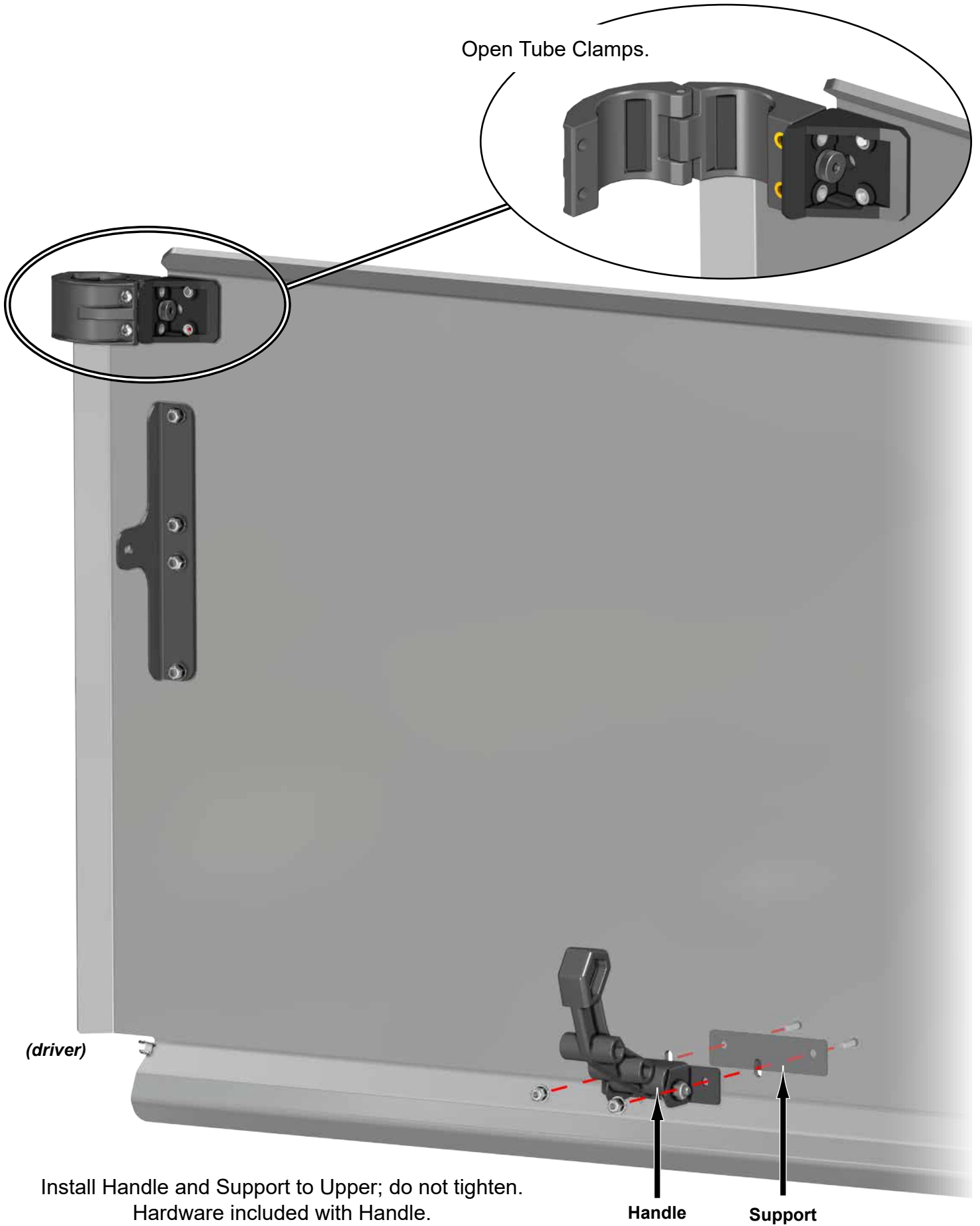
Open Clamps and install Struts; tighten and set aside.



Install Clamp Assembly to Upper with hardware shown; tighten.
Install Strut Mount- L to Upper with hardware shown; tighten
Repeat for Strut Mount - R.



Open Tube Clamps.



(driver)

Install Handle and Support to Upper; do not tighten.
Hardware included with Handle.

Handle

Support

Secure Tube Clamp / Strut assembly to cage.
Hardware should be snug but not tight.
Repeat for passenger side.



Place Upper assembly onto Cage and secure Clamps with previously removed hardware.
Engage Latch and align Windshield assembly to machine making sure that Seal, on
Lower, is in contact with Hood.



Tighten all hardware.

Place Upper in open position and secure Struts to Strut Mounts with hardware shown; tighten hardware.

