

- installation performed on machine equipped with Dynamix™ Shocks
- if stock Front Tires and Wheels are installed, 1" Wheel Spacers are required



Item	Description	Item	Description
A	Left Front Bracket	D	Rear Spring Spacer x 2
B	Right Front Bracket	E	Shock Harness x 2
C	Cross Brace	F	Front Limit Strap x 2

SuperATV strongly recommends using a Spring Compressor when removing and installing Springs.

Need help with your installation?



sales@superatv.com



www.superatv.com



1-855-743-3427



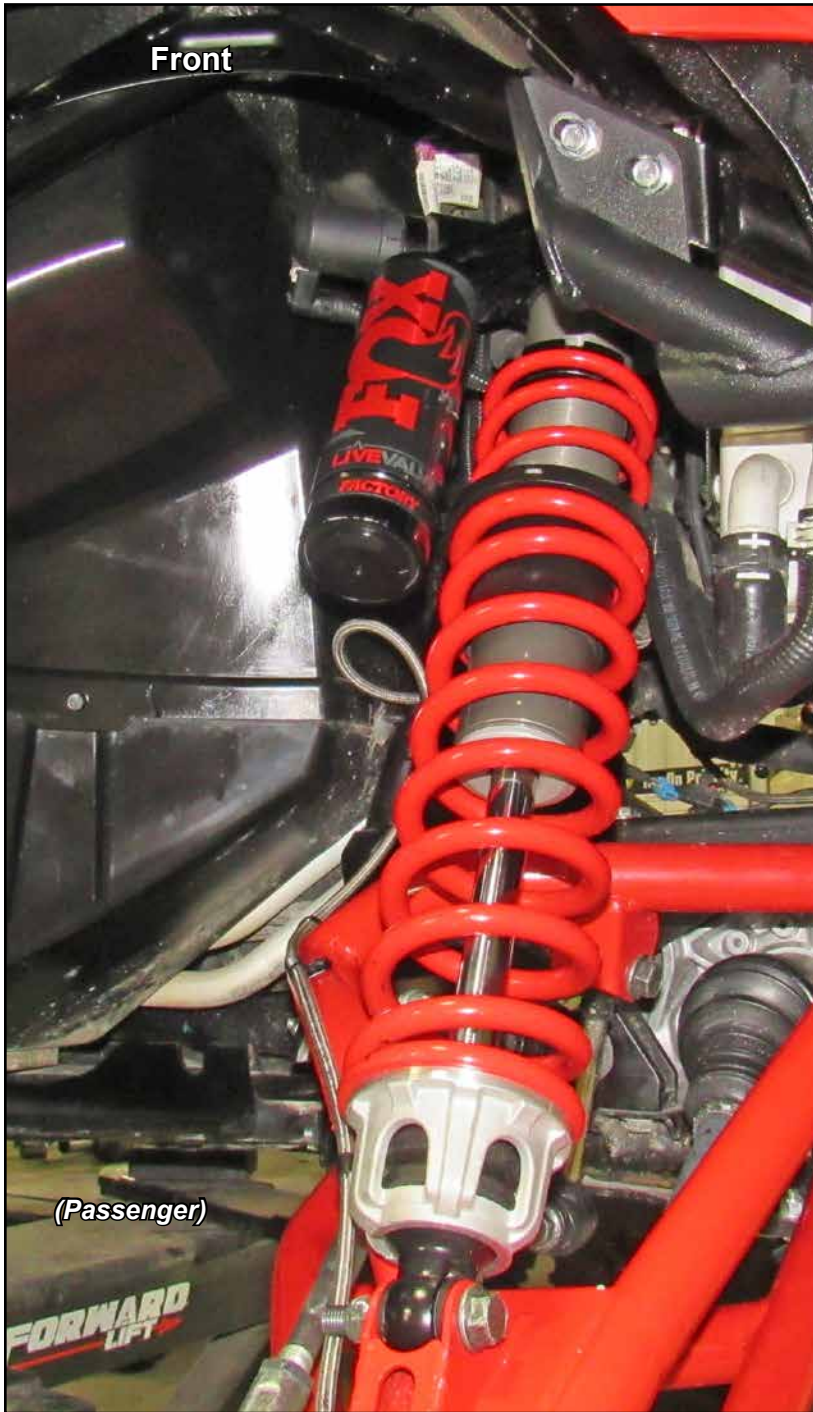
8:00am - 8:00pm EST M-Th
 8:00am - 7:00pm EST Friday
 9:00am - 2:00pm EST Saturday

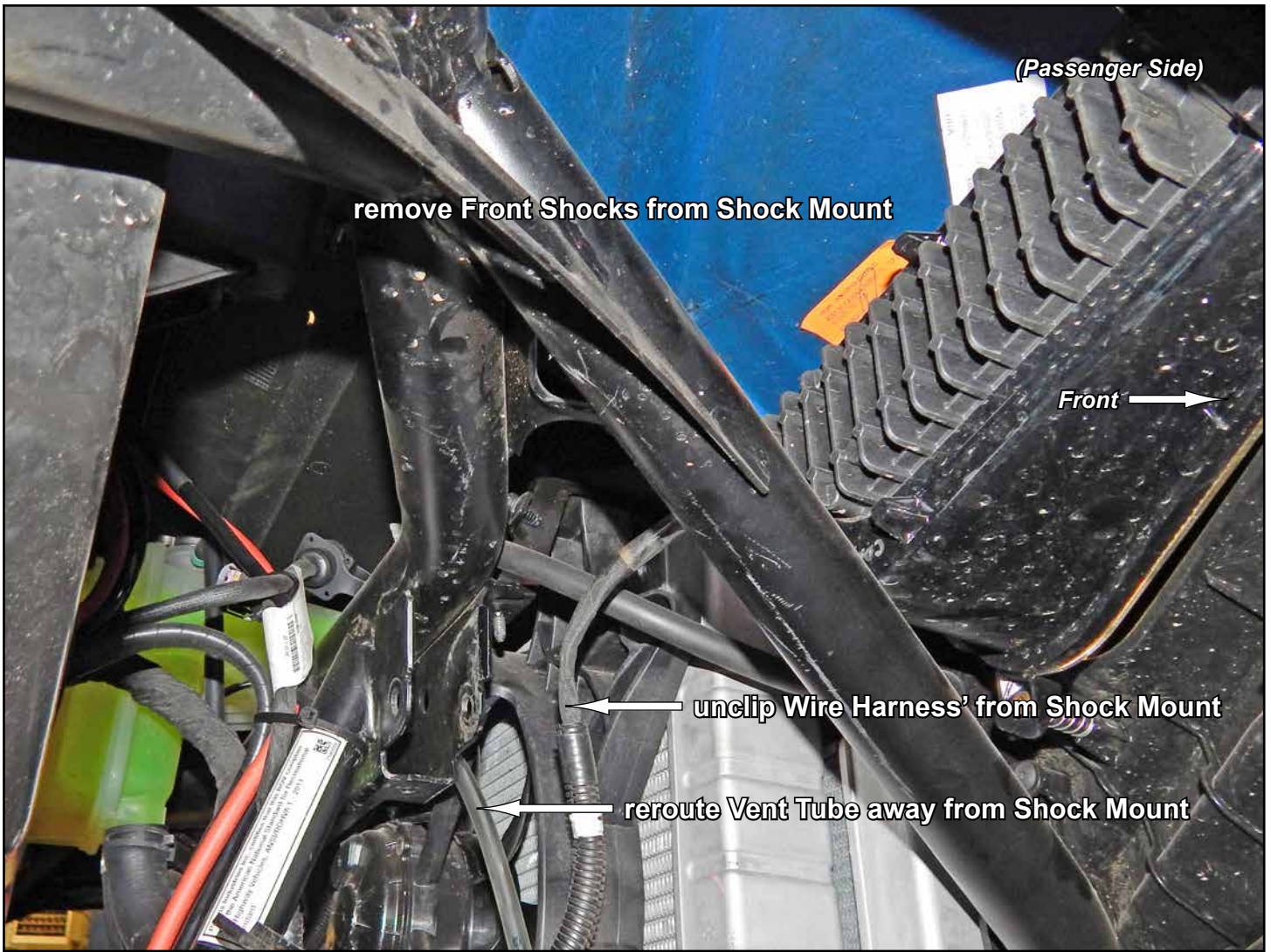
Read instructions and view illustrations before beginning.

*Thank You
 For Choosing*



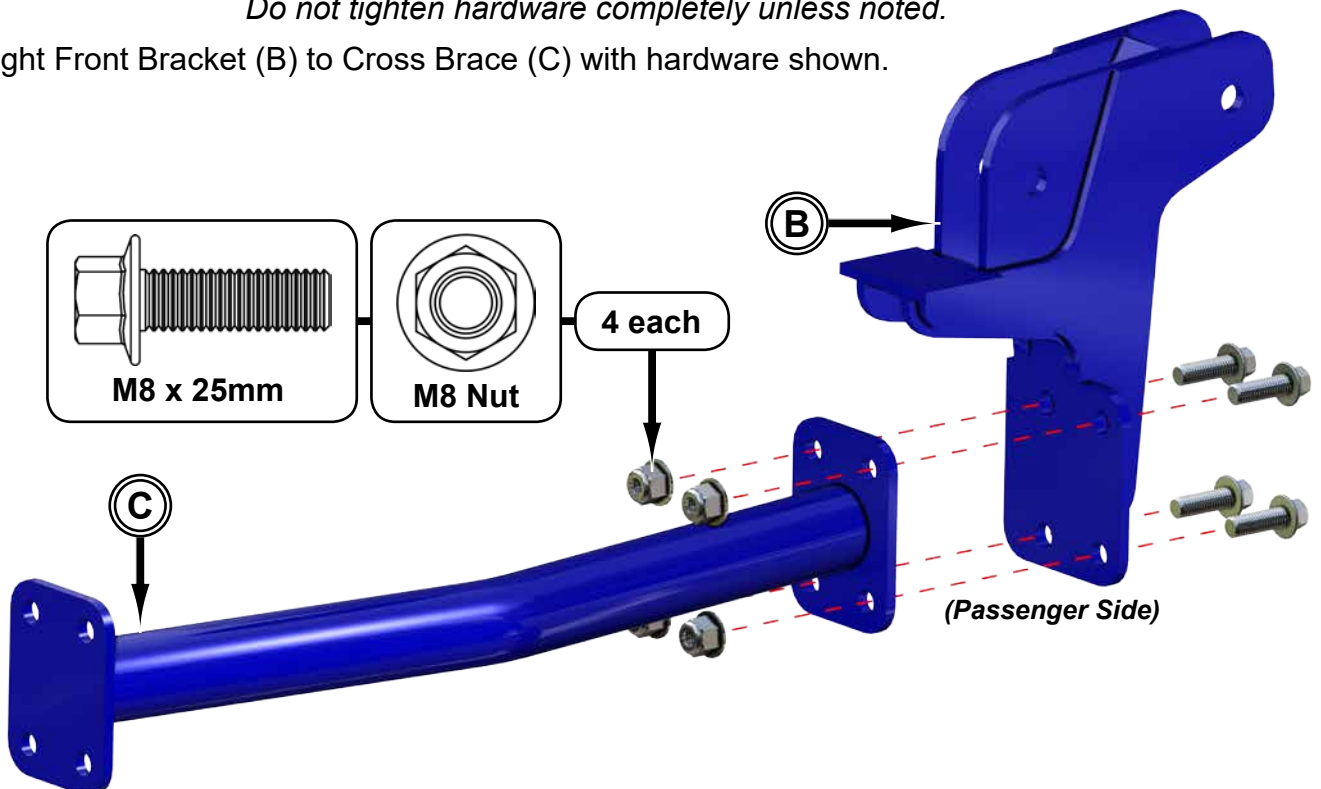
- Disconnect Harnesses from Shocks.
- Remove Shocks from machine.





Do not tighten hardware completely unless noted.

- Install Right Front Bracket (B) to Cross Brace (C) with hardware shown.

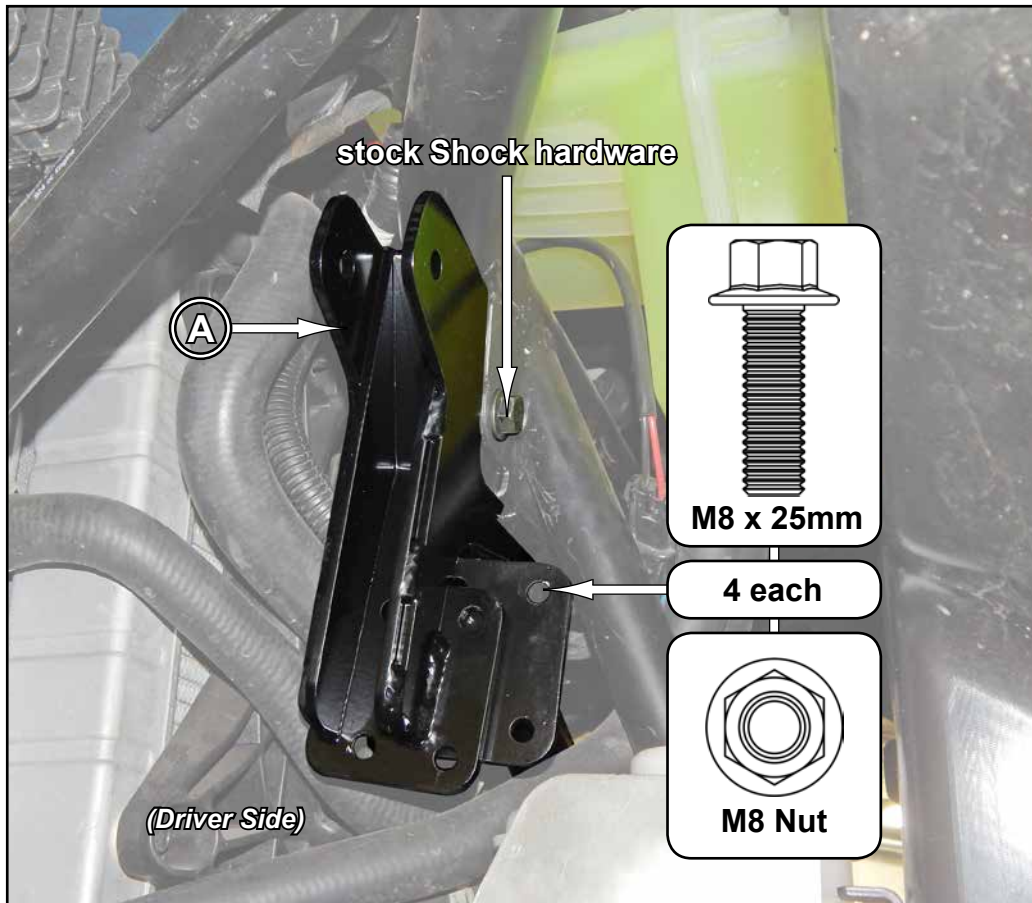


- Insert Right Front Bracket (A) - Cross Brace (C) assembly into passenger side of machine.
- Secure Right Front Bracket (A) to Shock Mount with stock Shock hardware.



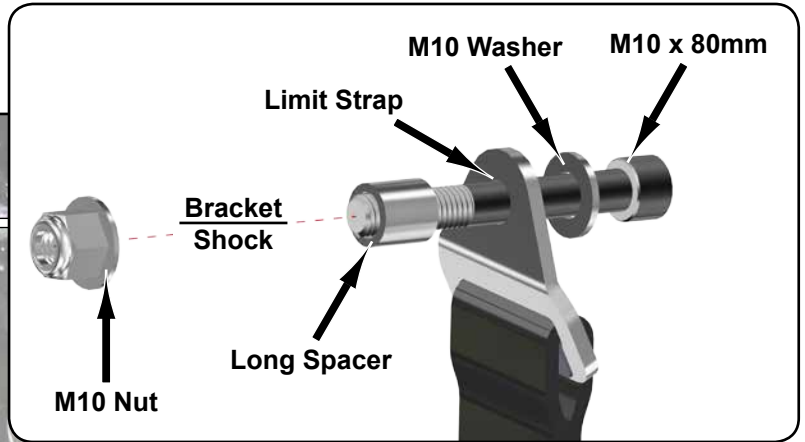
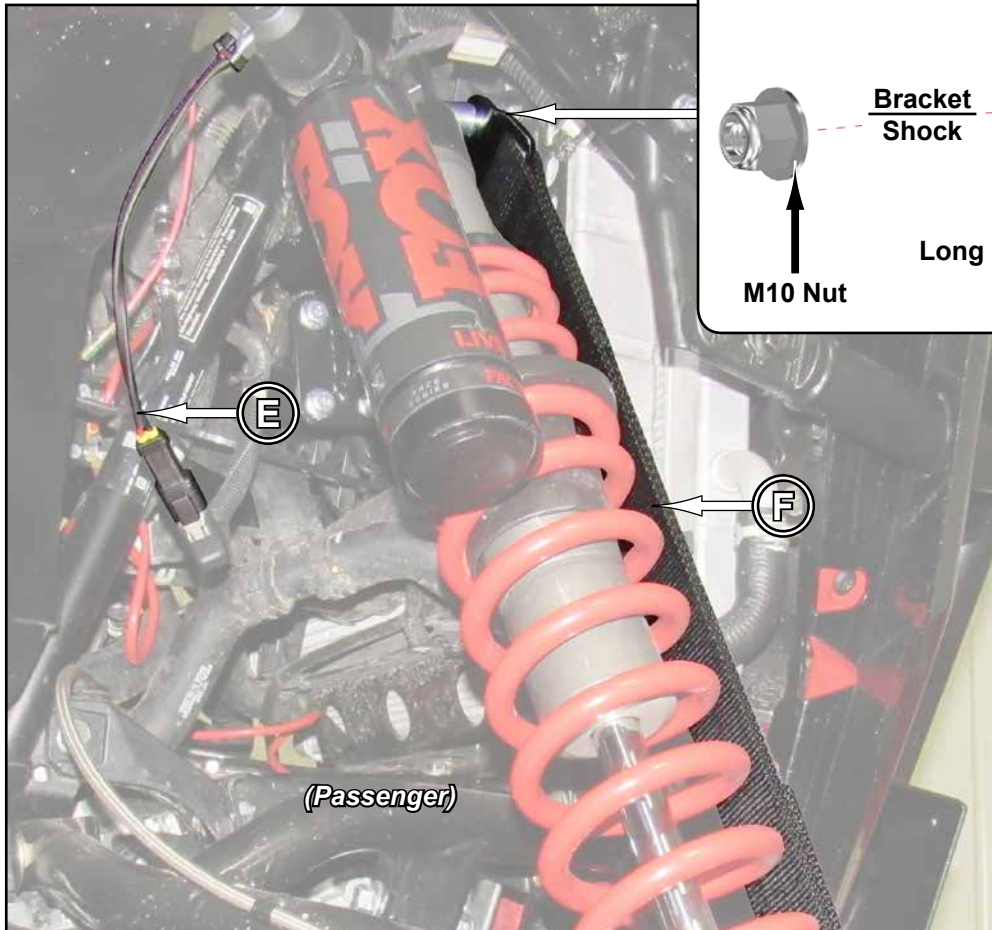


- Secure Left Front Bracket (A) to Cross Brace (E) with hardware shown.
- Secure Left Front Bracket (A) to Shock Mount with stock Shock hardware.

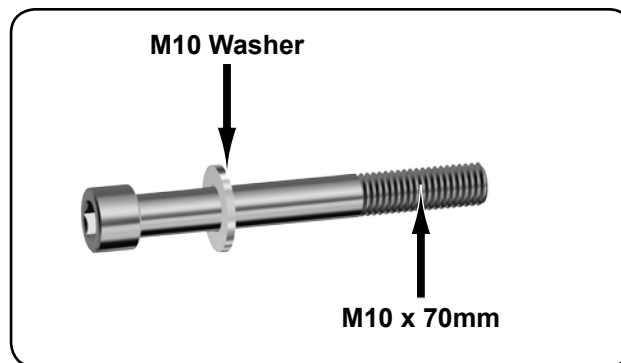


- Secure Shocks to new Brackets with provided M10 hardware.
- Tighten all hardware completely.

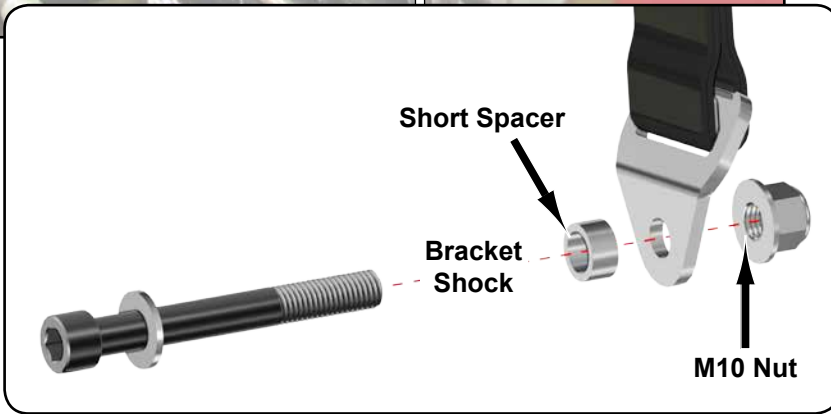
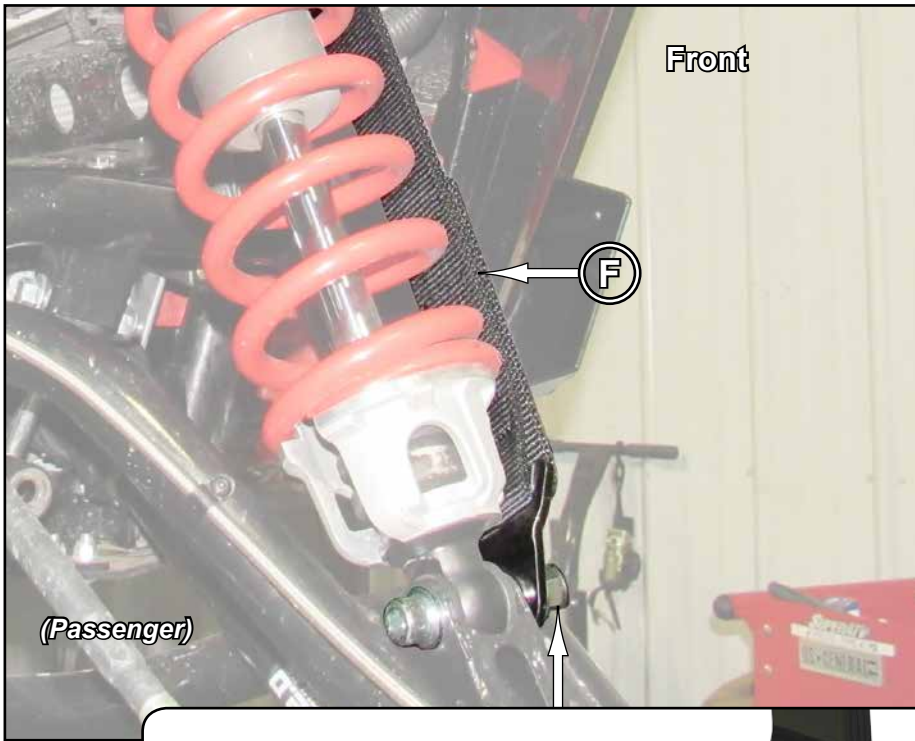
- Secure Shock and Front Limit Strap (F) to Right Front Bracket (B) with hardware shown.
- Connect Shock Harness (E) between Shock and stock Shock Harness.



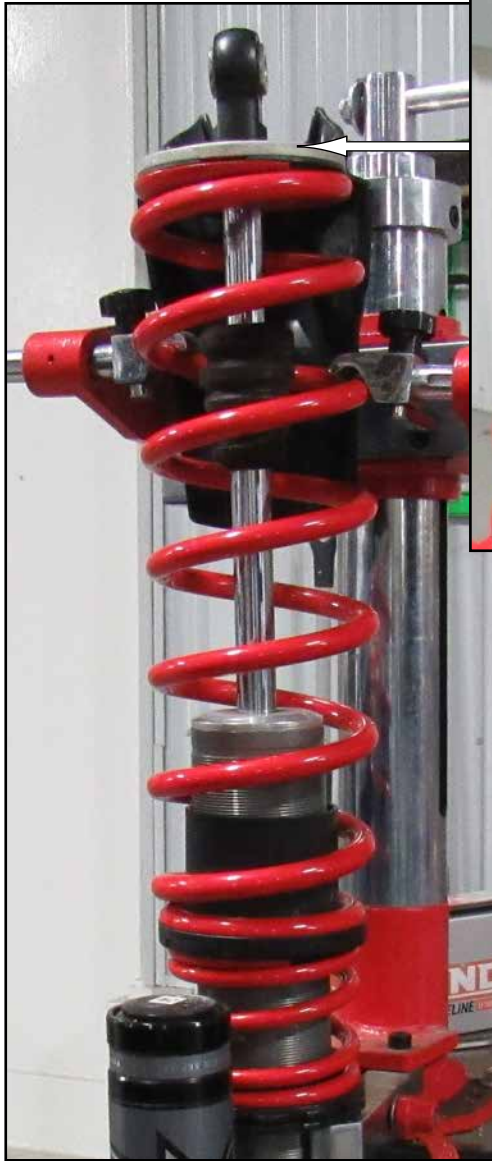
- Secure Shock to A-Arm with hardware shown.



- Place machine on ground and secure lower portion of Shocks and Limit Straps with hardware shown.



Rear Spring Spacer installation



Rear Spring Spacer installation continued



- Reinstall Spring, Retainer, and Guard.
- Repeat steps for opposite Shock.
- Reinstall Shocks with stock hardware.
- Tighten all hardware completely.

Liability Statement

SuperATV's® products are designed to best fit user's ATV/UTV under stock conditions. Adding, modifying, or fabricating any factory or aftermarket parts will void any warranty provided by SuperATV® and is not recommended. SuperATV's® products could interfere with other aftermarket accessories. If user has aftermarket products on machine, contact SuperATV® to verify that they will work together.

Although SuperATV® has thousands of satisfied customers, user should be aware that installing lift kits, long travel, or suspension kits, tires, etc. will change the ride of machine and may increase maintenance and part wear. Operating any off-road machine while, or after, consuming alcohol and/or drugs increases risk of bodily harm or death. No warranty or representation is made as to this product's ability to protect user from severe injury or death. SuperATV® urges operators and occupants to wear a helmet and appropriate riding gear at all times.

By purchasing and installing SuperATV® products, user agrees that should damages occur, SuperATV® will not be held responsible for loss of time, use, labor fees, replacement parts, or freight charges. SuperATV®, nor any 3rd party, will not be held responsible for any direct, indirect, incidental, special, or consequential damages that result from any product purchased from SuperATV®. The total liability of seller to user for all damages, losses, and causes of action, if any, shall not exceed the total purchase price paid for the product that gave rise to the claim.

SuperATV® will warranty only parts provided by SuperATV®. Any damage or problems with OEM housings, bearings, seals, or other manufacturers' products will not be covered by SuperATV®. SuperATV® parts and products are not warranted if item was not installed properly, misused, or modified.

Installing, adding, modifying, or fabricating any factory or aftermarket product to your ATV/UTV may violate certain local, state, and federal laws. Be advised that laws vary depending on town, city, county, state, etc. Use of certain products on public streets, roads, or highways may be in violation law. The Buyer is solely and exclusively legally and personally responsible for any violation of the law by the installation or use of the product. You must abide by all local, state, and federal laws, including but not limited to vehicle safety, traffic laws, and ordinances. It is your responsibility to know the laws and how they apply to you.

The Buyer is responsible to fully understand the capability and limitations of his/her vehicle according to manufacturer specifications, warnings and instructions and agrees to hold SuperATV® harmless from any damage resulting from failure to adhere to such specifications, warnings and/ or instructions. The Buyer is also responsible to obey all applicable federal, state, and local laws and ordinances when operating his/her vehicle while using this product, and the Buyer agrees to hold SuperATV® harmless from any violation thereof.